

JGM G

Hammer-head locking plate, threaded plate for spaced mounting

JGM G hammer-head locking plates are threaded plates that are inserted at any point of the corresponding anchor or mounting channel. The threaded hole is centred by turning it 90° after insertion. Locking plates are used for spaced mounting with long bolts or threaded rods. When screwing in the threaded rod, the locking plates tilt and create an efficient connection without requiring additional locking. JGM G hammer-head locking plates are available in galvanised steel or stainless steel (A4) and in various threads to fit numerous rails. They fit many cold-formed rails and channels.

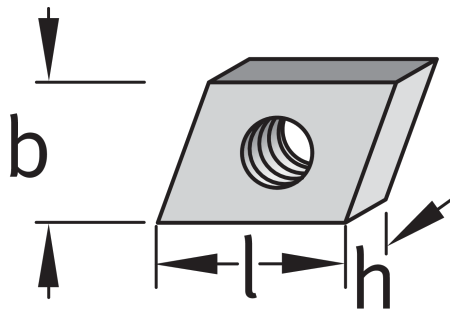
| Products | H | B | L | weight |
|----------|------|-------|-------|----------|
| GFG4 A4 | 4 mm | 12 mm | 16 mm | 0,008 kg |
| GFG4 GV | 4 mm | 12 mm | 16 mm | 0,005 kg |
| GFG5 GV | 4 mm | 12 mm | 16 mm | 0,006 kg |
| GFG6 A4 | 4 mm | 12 mm | 16 mm | 0,007 kg |
| GFG6 GV | 4 mm | 12 mm | 16 mm | 0,007 kg |
| GFG8 A4 | 6 mm | 12 mm | 16 mm | 0,008 kg |
| GFG8 GV | 6 mm | 12 mm | 16 mm | 0,008 kg |

H: height

B: width

L: length

DETAIL AND APPLICATION IMAGES





PohlCon GmbH
Nobelstraße 51 | 12057 Berlin
Telefon: +49 30 68283-04 | Fax: +49 30 68283-383 | contact@pohlcon.com

