

JDSD

Double shear connector for the dynamic connection of concrete components

The double shear connector JDSD consists of a dowel element with two connectors and a sleeve. The pair of connectors can move in the longitudinal direction within the sleeve to ensure expansion within the component. JDSD Double shear connectors are the preferred choice for use in expansion joints of large-format slabs. The double shear connector JDSD is approved by the general technical approval . It is available in different sizes. For example, it can accommodate rated resistances of steel load-bearing capacity up to 996.5 kN for joint widths up to 20 mm. It is suitable for joint widths up to 60 mm and is resistant to high corrosion loads, e.g. from chlorides or seawater.

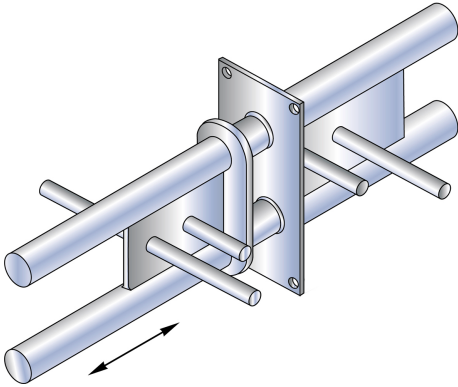


Products	H	B	L	W
JDSD20HF	70 mm	110 mm	250 mm	1,350 kg
JDSD25HF	80 mm	110 mm	260 mm	1,800 kg
JDSD30HF	80 mm	130 mm	280 mm	2,100 kg
JDSD45HF	105 mm	130 mm	300 mm	2,700 kg
JDSD60HF	115 mm	150 mm	340 mm	3,500 kg
JDSD90HF	150 mm	160 mm	360 mm	4,834 kg
JDSD120HF	160 mm	170 mm	400 mm	8,000 kg
JDSD130	180 mm	170 mm	470 mm	11,200 kg
JDSD150	200 mm	210 mm	550 mm	17,300 kg
JDSD400	250 mm	300 mm	660 mm	31,500 kg
JDSD450	280 mm	300 mm	690 mm	47,600 kg

H: height
B: width
L: length
W: Weight per storage unit

DETAIL AND APPLICATION IMAGES





OPTIONAL ACCESSORIES

JBRM

