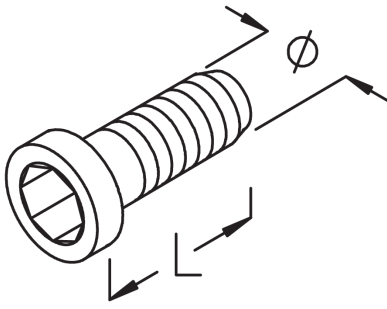


PRODUCT INFORMATION

IKK

Hexagon socket head screw, DIN 7984

The hexagon socket head screw IKK (in line with DIN 7984) is 10 mm long, has an M8 thread and is made of stainless steel.



Stainless steel, according to ASTM 304 / BS 304 S 3

Products	Ø	L	D	weight
IKK 8X10E	8 mm	10 mm	13 mm	0,007 kg

Ø: thread diameter

L: length

D: diameter

DETAIL AND APPLICATION IMAGES

