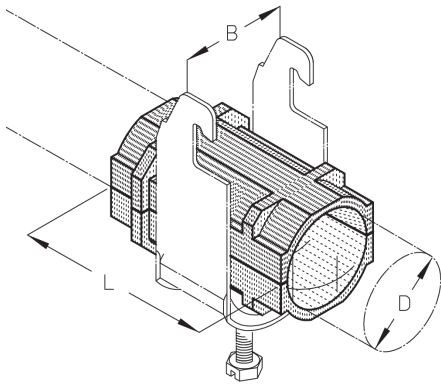


PRODUCT INFORMATION



HW HF trough

The high-frequency trough HW is used in combination with cable clamps for routing fibre-optic/high-frequency cables. It is suitable for cables with a maximum diameter of 1 5/8 inch and for clamps with widths from 20 to 56 mm. It is made of polystyrene.

polystyrene

Products	B	L	D	Cable diameter	W
HW 20-1/2	20 mm	55 mm	17 mm	17 mm	0,004 kg
HW 32-7/8	32 mm	60 mm	29 mm	29 mm	0,010 kg
HW 44-1 1/4	44 mm	60 mm	39 mm	39 mm	0,017 kg
HW 56-1 5/8	56 mm	60 mm	51 mm	51 mm	0,025 kg

B: width

L: length

D: diameter

Cable diameter: Suitable for max. cable diameter

W: Weight per storage unit

DETAIL AND APPLICATION IMAGES



PRODUCT INFORMATION

