

## HS22

### Tee-head bolt

Tee-head bolts HS22 are used to fasten companion structures to A2 and A4 mounting channels. Their heads are shaped like hammers and they have a notch at the end of the shaft. The bolts are available in lengths from 30 to 80 mm. The nuts are included. We provide components in various materials and surface finishes to ensure that various corrosion protection requirements for different areas of application are met.

steel, galvanic zinc plated

Products	ø	L	W
HS22 12X30	12 mm	30 mm	0,096 kg
incl.:			
? x SK12 GV ISO 4032			
HS22 12X40	12 mm	40 mm	0,103 kg
incl.:			
? x SK12 GV ISO 4032			
HS22 12X50	12 mm	50 mm	0,110 kg
incl.:			
? x SK12 GV ISO 4032			
HS22 12X60	12 mm	60 mm	0,118 kg
incl.:			
? x SK12 GV ISO 4032			
HS22 16X40	16 mm	40 mm	0,193 kg
incl.:			
? x SK16 GV ISO 4032			
HS22 16X60	16 mm	60 mm	0,220 kg
incl.:			
? x SK16 GV ISO 4032			



# PRODUCT INFORMATION

steel, batch/hot-dip galvanized

Products	Ø	L	W
HS22 10X80F	10 mm	80 mm	0,119 kg
incl.: ? x SK10 FV ISO 4032			

Stainless steel, according to ASTM 316 Ti / AISI 316 L, BS 320S17 / BS 316S11

Products	Ø	L	W
HS22 10X80E4	10 mm	80 mm	0,105 kg
incl.: ? x SK10 A4 ISO 4032			
HS22 12X30E4	12 mm	30 mm	0,097 kg
incl.: ? x SK12 A4 ISO 4032			
HS22 12X40E4	12 mm	40 mm	0,105 kg
incl.: ? x SK12 A4 ISO 4032			
HS22 12X50E4	12 mm	50 mm	0,112 kg
incl.: ? x SK10 A4 ISO 4032			
HS22 12X60E4	12 mm	60 mm	0,119 kg
incl.: ? x SK12 A4 ISO 4032			
HS22 16X40E4	16 mm	40 mm	0,196 kg
incl.: ? x SK16 A4 ISO 4032			
HS22 16X60E4	16 mm	60 mm	0,222 kg
incl.: ? x SK16 A4 ISO 4032			

Ø: thread diameter  
L: length  
W: Weight per storage unit

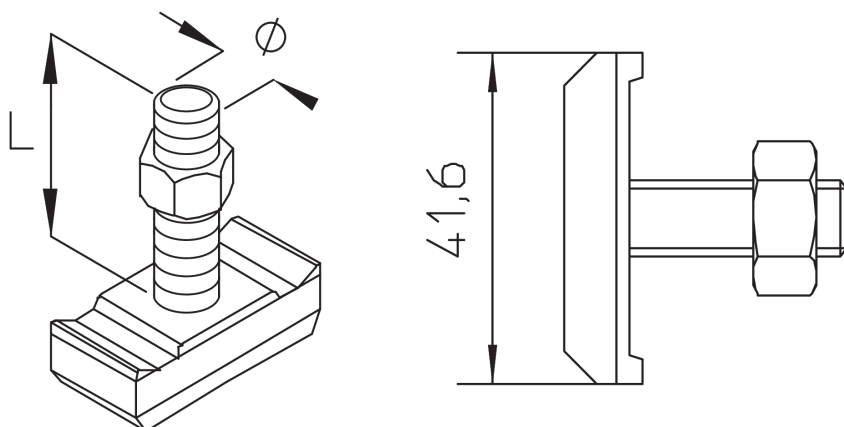
Page 2



PohlCon GmbH  
Nobelstraße 51 | 12057 Berlin  
Telefon: +49 30 68283-04 | Fax: +49 30 68283-383 | contact@pohlcon.com



## DETAIL AND APPLICATION IMAGES



## OPTIONAL ACCESSORIES

KHAL 41, KHA 41, A 41

