

## HS18

### Tee-head bolt

HS18 tee-head bolts are used to fasten companion structures to the profile rails A7, A8 and A9. Their heads are shaped like hammers and they have a notch at the end of the shaft. The screws are available in lengths from 30 to 80 mm and are supplied with nuts. We provide components in various materials and surface finishes to ensure that various corrosion protection requirements for different areas of application are met.

steel, galvanic zinc plated

Products	ø	L	W
HS18 10X30	10 mm	30 mm	0,062 kg
incl.:			
? x SK10 GV ISO 4032			
HS18 10X40	10 mm	40 mm	0,067 kg
incl.:			
? x SK10 GV ISO 4032			
HS18 10X50	10 mm	50 mm	0,072 kg
incl.:			
? x SK10 GV ISO 4032			
HS18 10X60	10 mm	60 mm	0,077 kg
incl.:			
? x SK10 GV ISO 4032			
HS18 12X30	12 mm	30 mm	0,074 kg
incl.:			
? x SK12 GV ISO 4032			
HS18 12X40	12 mm	40 mm	0,081 kg
incl.:			
? x SK12 GV ISO 4032			
HS18 12X60	12 mm	60 mm	0,096 kg
incl.:			
? x SK12 GV ISO 4032			

Page 1



# PRODUCT INFORMATION

---

Products	∅	L	W
HS18 16X40	16 mm	40 mm	0,142 kg
incl.:			
? × SK16 GV ISO 4032			
HS18 16X60	16 mm	60 mm	0,168 kg
incl.:			
? × SK16 GV ISO 4032			
HS18 16X80	16 mm	80 mm	0,195 kg
incl.:			
? × SK16 GV ISO 4032			

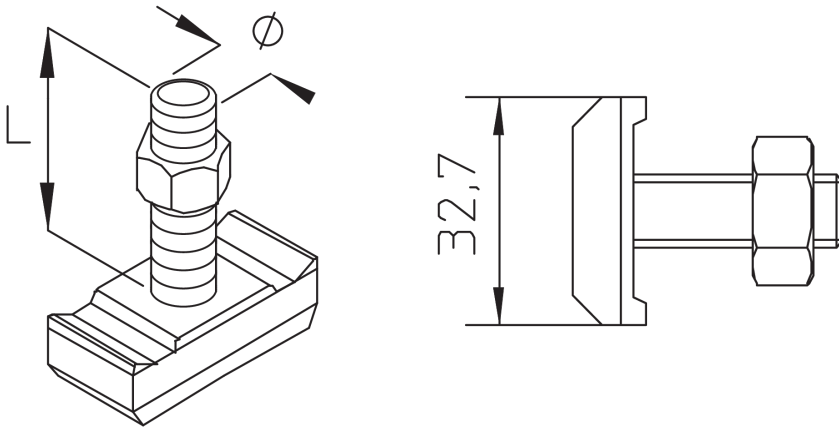
Stainless steel, according to ASTM 316 Ti / AISI 316 L, BS 320S17 / BS 316S11

Products	∅	L	W
HS18 10X30E4	10 mm	30 mm	0,063 kg
incl.:			
? × SK10 A4 ISO 4032			
HS18 10X40E4	10 mm	40 mm	0,068 kg
incl.:			
? × SK10 A4 ISO 4032			
HS18 10X50E4	10 mm	50 mm	0,073 kg
incl.:			
? × SK10 A4 ISO 4032			

∅: thread diameter  
L: length  
W: Weight per storage unit

## DETAIL AND APPLICATION IMAGES





## OPTIONAL ACCESSORIES

A 7, A 8, A 9

