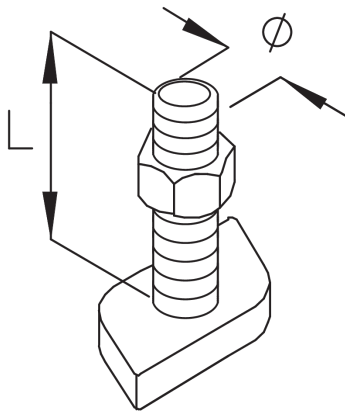


PRODUCT INFORMATION



HS16

Tee-head bolt

HS16 tee-head bolts are used to fasten companion structures to profile rails or mounting channels. They have heads shaped like hammers. The screws are made of galvanised steel and are available in lengths from 20 to 50 mm. The nuts are included.

steel, galvanic zinc plated

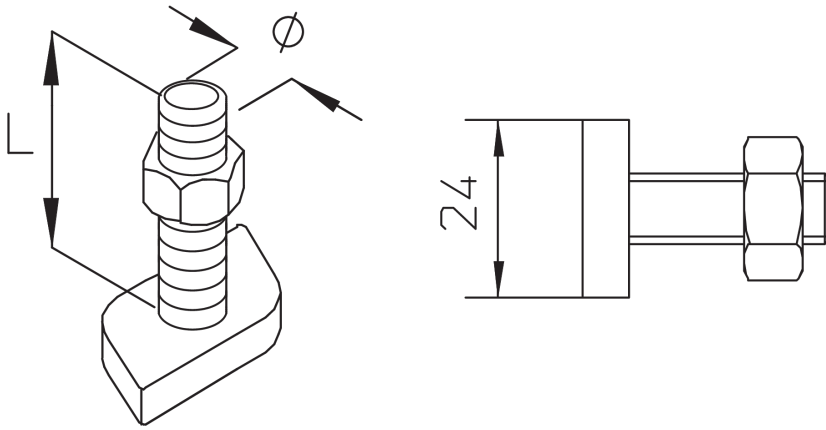
Products	Ø	L	weight
HS16 8X20	8 mm	20 mm	0,026 kg
incl.: ? x SEM 8			
HS16 8X40	8 mm	40 mm	0,040 kg
incl.: ? x SEM 8			
HS16 10X30	10 mm	30 mm	0,042 kg
incl.: ? x SEM 10			
HS16 10X50	10 mm	50 mm	0,058 kg
incl.: ? x SEM 10			

Ø: thread diameter

L: length

DETAIL AND APPLICATION IMAGES





OPTIONAL ACCESSORIES

B 7

