

HS12

Tee-head bolt

HS12 tee-head bolts are used to fasten companion structures to profile rails or mounting channels. They have heads shaped like hammers. The bolts are available in lengths from 20 to 40 mm and are supplied with nuts. We provide components in various materials and surface finishes to ensure that various corrosion protection requirements for different areas of application are met.

steel, galvanic zinc plated

Products	ø	L	W
HS12 6X30	6 mm	30 mm	0,017 kg
incl.:			
? x SK6 GV ISO 4032			
HS12 6X40	6 mm	40 mm	0,019 kg
incl.:			
? x SK6 GV ISO 4032			
HS12 8X20	8 mm	20 mm	0,021 kg
incl.:			
? x SK8 GV ISO 4032			
HS12 8X30	8 mm	30 mm	0,024 kg
incl.:			
? x SK8 GV ISO 4032			
HS12 8X40	8 mm	40 mm	0,028 kg
incl.:			
? x SK8 GV ISO 4032			
HS12 10X20	10 mm	20 mm	0,030 kg
incl.:			
? x SK10 GV ISO 4032			
HS12 10X30	10 mm	30 mm	0,035 kg
incl.:			
? x SK10 GV ISO 4032			

Page 1



PRODUCT INFORMATION

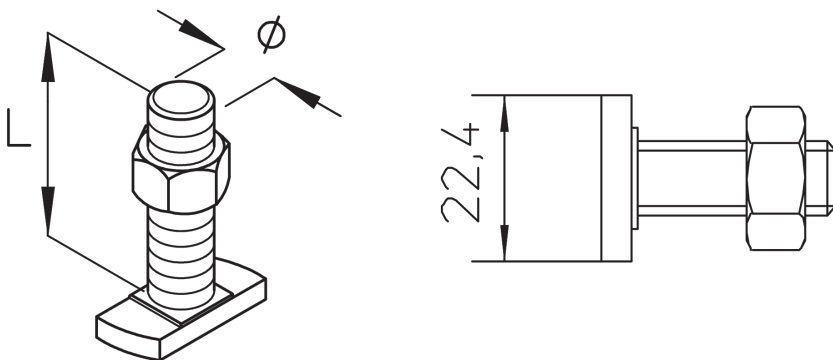
Products	∅	L	W
HS12 10X40	10 mm	40 mm	0,040 kg
incl.: ? x SK10 GV ISO 4032			

Stainless steel, according to ASTM 316 Ti / AISI 316 L, BS 320S17 / BS 316S11

Products	∅	L	W
HS12 10X20E4	10 mm	20 mm	0,031 kg
incl.: ? x SK10 A4 ISO 4032			
HS12 10X30E4	10 mm	30 mm	0,035 kg
incl.: ? x SK10 A4 ISO 4032			
HS12 10X40E4	10 mm	40 mm	0,041 kg
incl.: ? x SK10 A4 ISO 4032			

∅: thread diameter
L: length
W: Weight per storage unit

DETAIL AND APPLICATION IMAGES



Page 2



PohlCon GmbH
Nobelstraße 51 | 12057 Berlin
Telefon: +49 30 68283-04 | Fax: +49 30 68283-383 | contact@pohlcon.com



OPTIONAL ACCESSORIES

B 3, B 6

