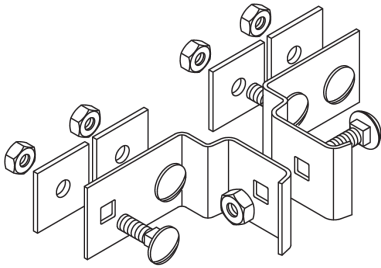


HKIQ

Mounting bracket, transverse, KHI

The fixing bracket HKIQ is suitable for connecting two KHI bracket holders at an angle of 90°. (See image of application). Various surfaces ensure that the corrosion requirements of a wide variety of applications are met.

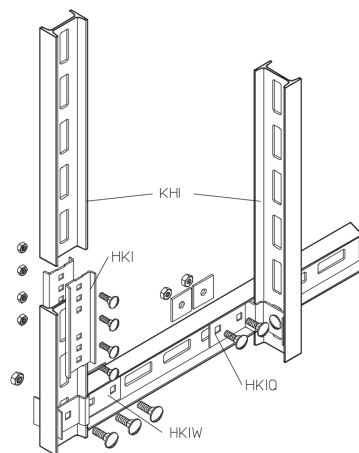
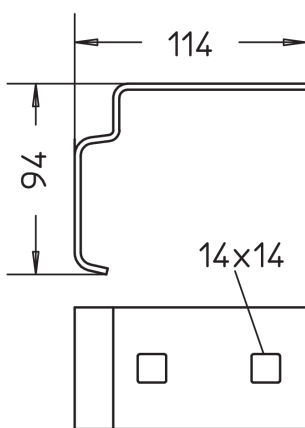


steel, batch/hot-dip galvanized

Products	H	B	L		weight
HKIQ F	60 mm	94 mm	114 mm	90 °	1,244 kg
incl.:					
5 x FRS 12X30F, 5 x SEM 12F, 4 x RUS 50-L13F					

H: height
B: width
L: length

DETAIL AND APPLICATION IMAGES





PohlCon GmbH
Nobelstraße 51 | 12057 Berlin
Telefon: +49 30 68283-04 | Fax: +49 30 68283-383 | contact@pohlcon.com

