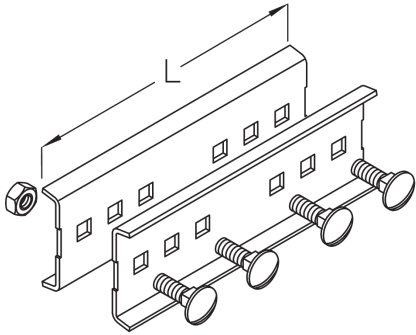


PRODUCT INFORMATION



HKI

Connector, KHI

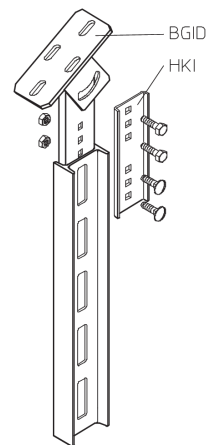
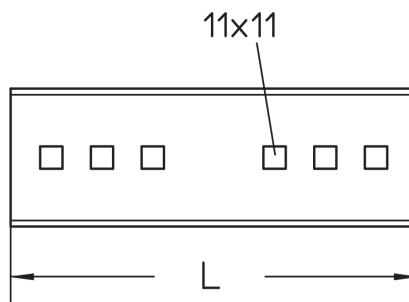
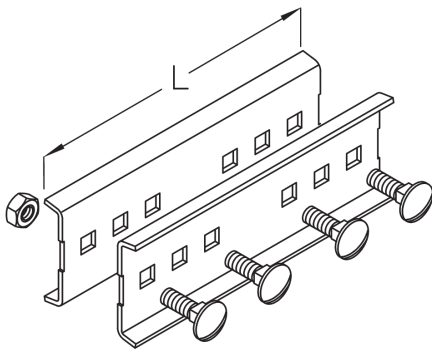
The connector HKI can be used to connect KHI bracket holders to each other as well as ST 81 and 82 vertical ladders. The connector is 200 mm long and is made of hot-dip galvanised steel.

steel, batch/hot-dip galvanized

Products	H	L	W
HKI F	68 mm	200 mm	0,886 kg
incl.:			
4 x FRS 10X30F, 4 x SEM 10F			

H: height
L: length
W: Weight per storage unit

DETAIL AND APPLICATION IMAGES



Page 1



PRODUCT INFORMATION

