

HK 30-70

Cable hook

HK 30-70 cable hooks are used for the temporary routing of cables with a diameter of up to 70 mm. The cable hooks are attached directly to the wall and can be mounted in max. 3 tiers on top of each other thanks to the hooking lock (max. 20 kg per layer). They are made of hot-dip galvanized steel.

steel, batch/hot-dip galvanized

Products	H _{max}	D	cables	weight
HK 30	105 mm	≤ 30 mm	1	0,095 kg
HK 40	110 mm	≤ 40 mm	1	0,099 kg
HK 50	130 mm	≤ 50 mm	1	0,121 kg
HK 60	150 mm	≤ 60 mm	1	0,143 kg
HK 70	170 mm	≤ 70 mm	1	0,149 kg

H_{max}: maximum height

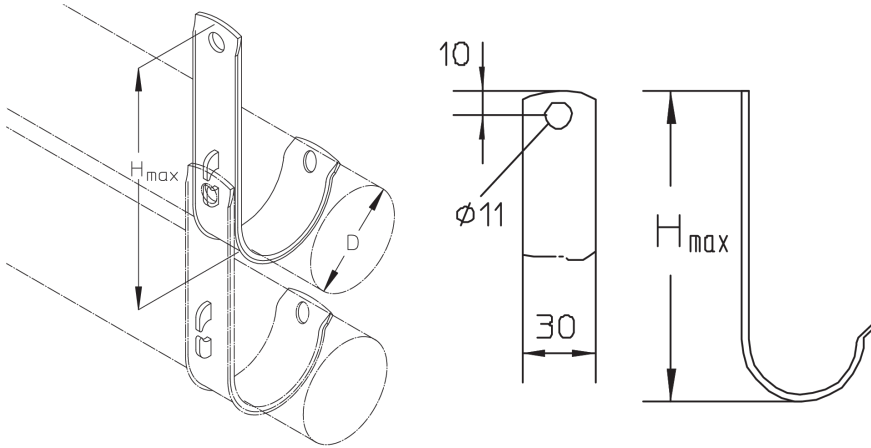
D: diameter

cables: max. number of cables

DETAIL AND APPLICATION IMAGES



PRODUCT INFORMATION



OPTIONAL ACCESSORIES

SA, SAZ

