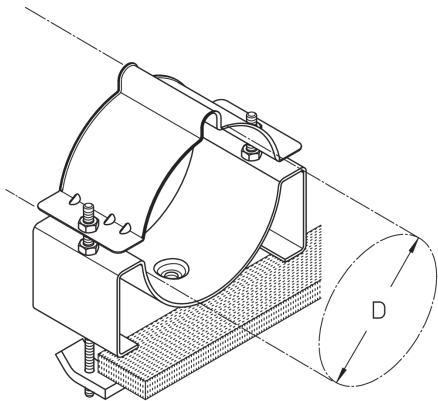


HF-EU 5-6

HF cable clamp for fastening to flat steel profiles

The HF cable clamps HF-EU 5-6 can be used to route fibre-optic/high-frequency cables with a maximum diameter of 160 mm. They are suitable for attachment to flat steel profiles made from material max. 15 mm thick. They are made of galvanised steel. Use HF-EE clamp inserts to accommodate various elliptical cables.



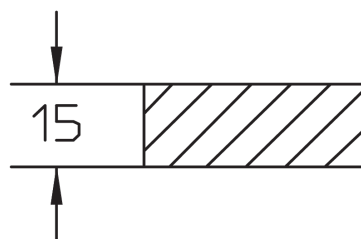
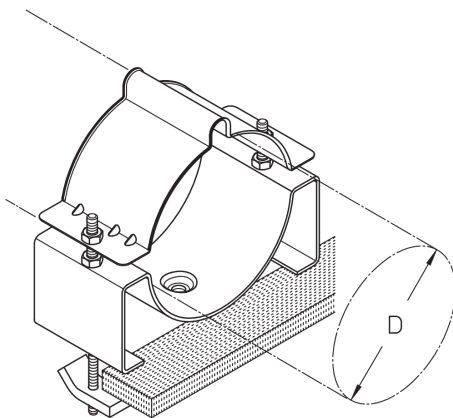
steel, batch/hot-dip galvanized

Products		Cable diameter	W
HF-EU 5	E 26-30	128 mm	1,020 kg
HF-EU 6	E 20	160 mm	1,177 kg

Cable diameter: Suitable for max. cable diameter

W: Weight per storage unit

DETAIL AND APPLICATION IMAGES



OPTIONAL ACCESSORIES

HF-EE

