

HF-ES 80 1-4

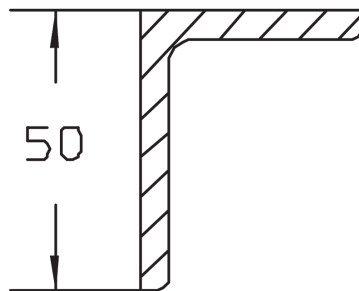
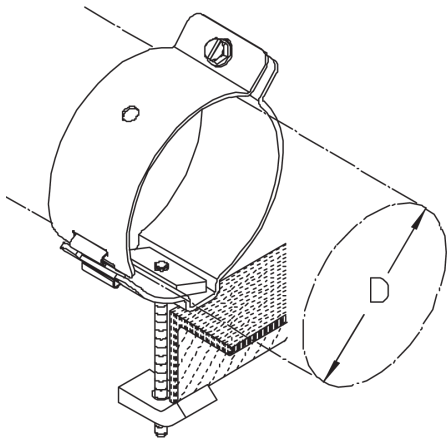
HF cable clamp for fastening to angle profiles

The HF cable clamps HF-ES 80 1-4 can be used to route fibre-optic/high-frequency cables with a maximum diameter of 100 mm. They are suitable for attachment to angle profiles with a leg length of up to 80 mm. They are made of galvanised steel. Use HF-EE clamp inserts to accommodate various elliptical cables.

steel, batch/hot-dip galvanized

Products			weight
HF-ES 80 1	E-130-190	37 mm	0,249 kg
HF-ES 80 2	E-78-105	50 mm	0,263 kg
HF-ES 80 3	E-60-70	62 mm	0,283 kg
HF-ES 80 4	E-38-46	100 mm	0,354 kg

DETAIL AND APPLICATION IMAGES



OPTIONAL ACCESSORIES

HF-EE

