

HF-ES 50 1-4

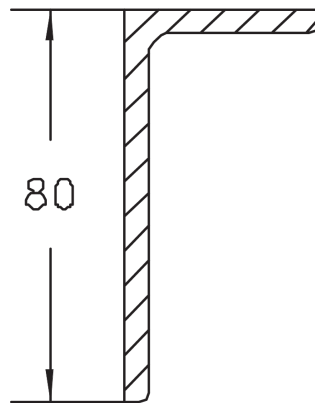
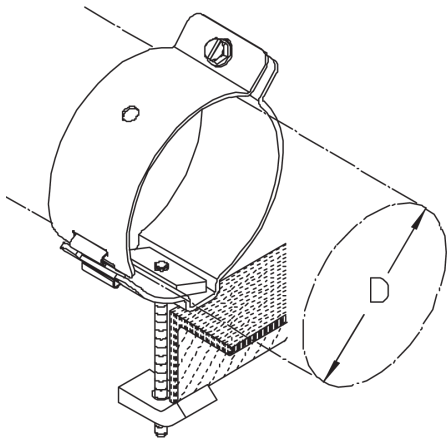
HF cable clamp for fastening to angle profiles

The HF cable clamps HF-ES 50 1-4 can be used to route fibre-optic/high-frequency cables with a maximum diameter of 100 mm. They are suitable for attachment to angle profiles with a leg length of max. 50 mm. They are made of galvanised steel. Use HF-EE clamp inserts to accommodate various elliptical cables.

steel, batch/hot-dip galvanized

Products			weight
HF-ES 50 1	E-130-190	37 mm	0,239 kg
HF-ES 50 2	E-78-105	50 mm	0,253 kg
HF-ES 50 3	E-60-70	62 mm	0,273 kg
HF-ES 50 4	E-38-46	100 mm	0,345 kg

DETAIL AND APPLICATION IMAGES



OPTIONAL ACCESSORIES

HF-EE

