

HF-EM 8 1-4

HF cable clamps for fastening to walls

The HF cable clamps HF-EM 8 1-4 with hexagon socket head screw IKK 8x10 can be used to route fibre-optic/high-frequency cables with a diameter of max. 100 mm. They are suitable for mounting directly on the wall and are made of galvanised steel. Use HF-EE clamp inserts to accommodate various elliptical cables.

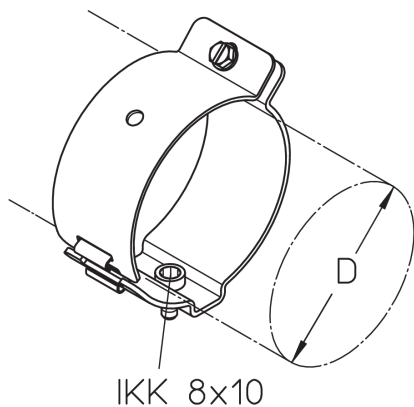
steel, batch/hot-dip galvanized

Products		Cable diameter	W
HF-EM 8 1	E 130-190	37 mm	0,135 kg
HF-EM 8 2	E 78-105	50 mm	0,191 kg
HF-EM 8 3	E 60-70	62 mm	0,227 kg
HF-EM 8 4	E 38-46	100 mm	0,333 kg

Cable diameter: Suitable for max. cable diameter

W: Weight per storage unit

DETAIL AND APPLICATION IMAGES



OPTIONAL ACCESSORIES

HF-EE, SA, SAZ, MKD

