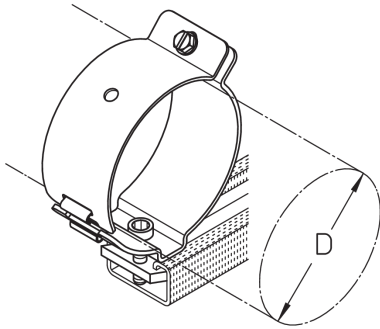


HF-EAC 1-4

HF cable clamp for fastening to profile rails

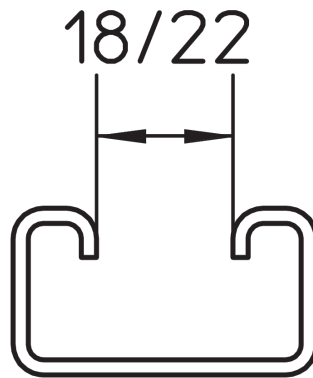
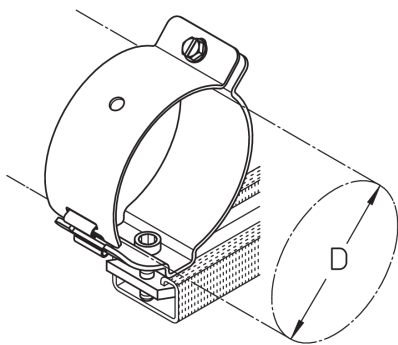
The HF cable clamps HF-EAC 1-4 can be used to route fibre-optic/high-frequency cables with a maximum diameter of 100 mm. They are suitable for attachment to profile rails C+ and C60° with slots 18/22 mm wide. They are made of galvanised steel. Use HF-EE clamp inserts to accommodate various elliptical cables.



steel, batch/hot-dip galvanized

Products			weight
HF-EAC 1	E-130-190	37 mm	0,172 kg
HF-EAC 2	E-78-105	50 mm	0,186 kg
HF-EAC 3	E-60-70	62 mm	0,207 kg
HF-EAC 4	E-38-46	100 mm	0,278 kg

DETAIL AND APPLICATION IMAGES



OPTIONAL ACCESSORIES

HF-EE, A 7, A 8, KHA 7, KHA 8

