

## HB

### Cable clamp for fastening to C profile rails

The HB cable clamp with full-surface pressure trough made of galvanised steel can guide cables with a maximum diameter of 70 mm. It is suitable for attachment to C profile rails with a slot width of 11-12 mm. On request, a GW counter trough can be fitted for improved cable support. We provide components in various materials and surface finishes to ensure that various requirements for different areas of application are met.

steel, zinc plated

Products	D	H <sub>max</sub>	cables	M	weight
12 HB	8 - 12 mm	41 mm	1	2 Nm	0,023 kg
16 HB	12 - 16 mm	46 mm	1	2 Nm	0,026 kg
20 HB	16 - 20 mm	50 mm	1	2 Nm	0,030 kg
24 HB	20 - 24 mm	54 mm	1	2 Nm	0,036 kg
28 HB	24 - 28 mm	58 mm	1	2 Nm	0,039 kg
32 HB	28 - 32 mm	63 mm	1	2 Nm	0,057 kg
36 HB	32 - 36 mm	67 mm	1	2 Nm	0,061 kg
40 HB	36 - 40 mm	71 mm	1	2 Nm	0,069 kg
44 HB	40 - 44 mm	81 mm	1	4 Nm	0,089 kg
48 HB	44 - 48 mm	85 mm	1	4 Nm	0,095 kg
52 HB	48 - 52 mm	90 mm	1	4 Nm	0,100 kg
56 HB	52 - 56 mm	94 mm	1	4 Nm	0,108 kg
60 HB	56 - 60 mm	98 mm	1	4 Nm	0,138 kg
64 HB	60 - 64 mm	102 mm	1	4 Nm	0,146 kg
70 HB	64 - 70 mm	109 mm	1	4 Nm	0,157 kg
12/2 HB	8 - 12 mm	58 mm	2	2 Nm	0,030 kg
16/2 HB	12 - 16 mm	67 mm	2	2 Nm	0,036 kg
20/2 HB	16 - 20 mm	75 mm	2	2 Nm	0,041 kg
24/2 HB	20 - 24 mm	84 mm	2	2 Nm	0,045 kg
28/2 HB	24 - 28 mm	92 mm	2	2 Nm	0,052 kg
32/2 HB	28 - 32 mm	101 mm	2	2 Nm	0,083 kg

Page 1



# PRODUCT INFORMATION

Products	D	H <sub>max</sub>	cables	M	weight
36/2 HB	32 - 36 mm	109 mm	2	2 Nm	0,094 kg
40/2 HB	36 - 40 mm	117 mm	2	2 Nm	0,101 kg
44/2 HB	40 - 44 mm	127 mm	2	4 Nm	0,118 kg
48/2 HB	44 - 48 mm	135 mm	2	4 Nm	0,125 kg
52/2 HB	48 - 52 mm	144 mm	2	4 Nm	0,142 kg
56/2 HB	52 - 56 mm	152 mm	2	4 Nm	0,156 kg

## aluminium

Products	D	H <sub>max</sub>	cables	M	weight
12 HB-AL	8 - 12 mm	41 mm	1	1,5 Nm	0,010 kg
16 HB-AL	12 - 16 mm	46 mm	1	1,5 Nm	0,012 kg
20 HB-AL	16 - 20 mm	50 mm	1	1,5 Nm	0,014 kg
24 HB-AL	20 - 24 mm	54 mm	1	1,5 Nm	0,017 kg
28 HB-AL	24 - 28 mm	58 mm	1	1,5 Nm	0,019 kg
32 HB-AL	28 - 32 mm	63 mm	1	1,5 Nm	0,032 kg
36 HB-AL	32 - 36 mm	67 mm	1	1,5 Nm	0,035 kg
40 HB-AL	36 - 40 mm	71 mm	1	1,5 Nm	0,038 kg
44 HB-AL	40 - 44 mm	81 mm	1	3 Nm	0,043 kg
48 HB-AL	44 - 48 mm	85 mm	1	3 Nm	0,045 kg
52 HB-AL	48 - 52 mm	90 mm	1	3 Nm	0,050 kg
56 HB-AL	52 - 56 mm	94 mm	1	3 Nm	0,054 kg

**D:** clamping range

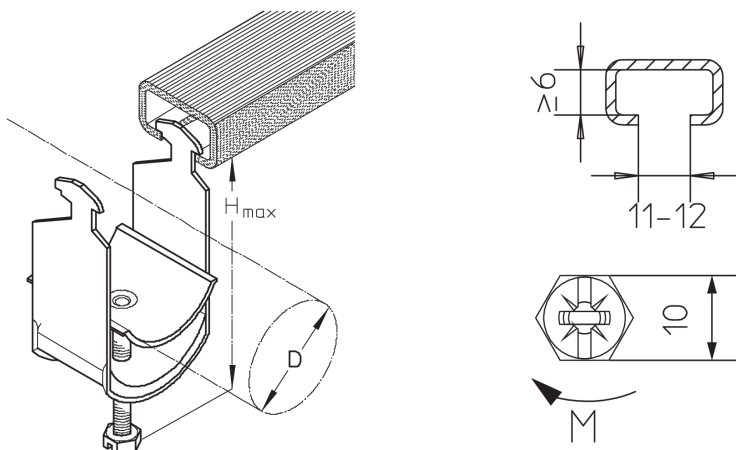
**H<sub>max</sub>:** maximum height

**cables:** max. number of cables

**M:** torque

## DETAIL AND APPLICATION IMAGES





## OPTIONAL ACCESSORIES

GW 12-70, DW, B 3, B 6

