

H

Cable clamp for fastening to C profile rails, maintenance of function

steel, zinc plated

Products	D	H _{max}	cables	M	weight
12 H	8 - 12 mm	41 mm	1	2 Nm	0,025 kg
16 H	12 - 16 mm	46 mm	1	2 Nm	0,029 kg
20 H	16 - 20 mm	50 mm	1	2 Nm	0,033 kg
24 H	20 - 24 mm	54 mm	1	2 Nm	0,036 kg
28 H	24 - 28 mm	58 mm	1	2 Nm	0,040 kg
32 H	28 - 32 mm	63 mm	1	2 Nm	0,059 kg
36 H	32 - 36 mm	67 mm	1	2 Nm	0,065 kg
40 H	36 - 40 mm	71 mm	1	2 Nm	0,072 kg
44 H	40 - 44 mm	81 mm	1	4 Nm	0,086 kg
48 H	44 - 48 mm	85 mm	1	4 Nm	0,095 kg
52 H	48 - 52 mm	90 mm	1	4 Nm	0,105 kg
56 H	52 - 56 mm	94 mm	1	4 Nm	0,109 kg
60 H	56 - 60 mm	98 mm	1	4 Nm	0,146 kg
64 H	60 - 64 mm	102 mm	1	4 Nm	0,154 kg
70 H	64 - 70 mm	109 mm	1	4 Nm	0,170 kg

D: clamping range

H_{max}: maximum height

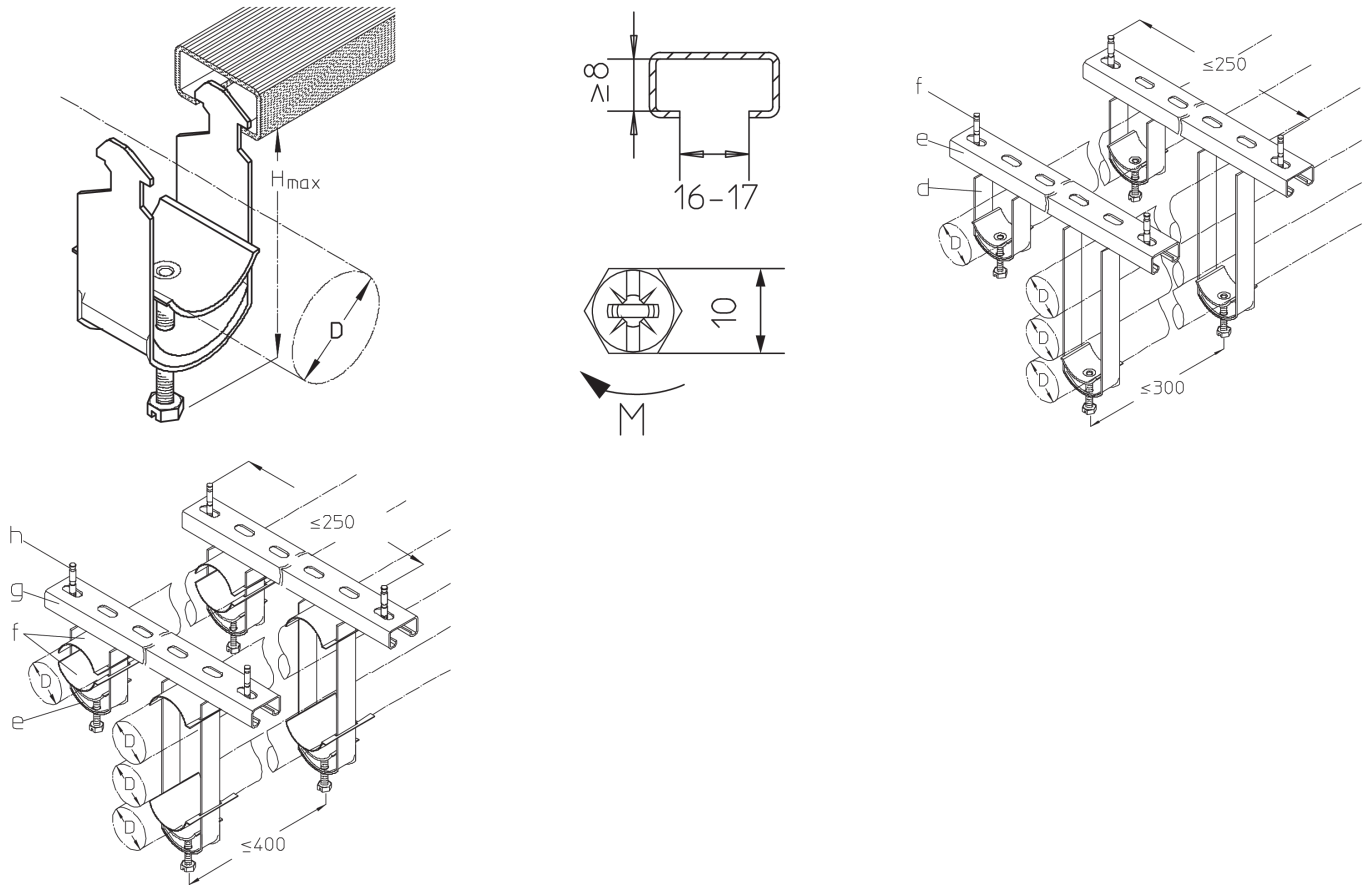
cables: max. number of cables

M: torque



PRODUCT INFORMATION

DETAIL AND APPLICATION IMAGES



OPTIONAL ACCESSORIES

LW

