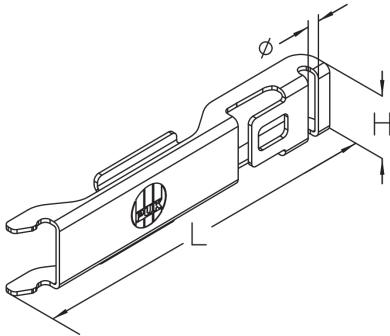


## GVR 4.0

### Mesh cable tray snap-in connector



The mesh cable tray snap-in connector GVR 4.0 connects U-shaped mesh cable trays of types G 50 and G 100 and is suitable for G 50 trays 100, 200 and 300 mm wide as well as G 100 trays 100 and 200 mm wide. The wire spacing must be 100 mm. The snap-in connector can be used universally for side or bottom connections and is designed for wires 4 mm thick. It is fitted and removed without bolts. We provide components in various materials and surface finishes to ensure that the corrosion requirements are met for all sorts of applications.

steel, continuously hot galvanized/Sendzimir process

Products	H	L	Ø	weight
GVR 4.0S	26 mm	131 mm	4,0 mm	0,053 kg

Stainless steel, according to ASTM 304 / BS 304 S 3

Products	H	L	Ø	weight
GVR 4.0E	26 mm	131 mm	4,0 mm	0,053 kg

Stainless steel, according to ASTM 316 Ti / AISI 316 L, BS 320S17 / BS 316S11

Products	H	L	Ø	weight
GVR 4.0E4	26 mm	131 mm	4,0 mm	0,054 kg

**H:** height  
**L:** length  
**Ø:** suitable for wire diameter

## DETAIL AND APPLICATION IMAGES



