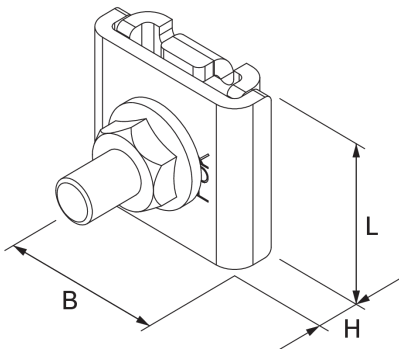


## GVE

### Mesh cable tray connector for mesh cable tray G 35

With the GVE mesh track connectors, type G 35 mesh tracks can be installed quickly and easily in a straight direction. However, the GVE mesh cable tray connectors are also used for horizontal changes of direction. The GVE is a ready-to-use set and the different materials and surfaces can be used to meet the corrosion requirements of a wide range of applications.



### steel, galvanic zinc plated

| Products | H     | B     | L     | W        |
|----------|-------|-------|-------|----------|
| GVE GV   | 11 mm | 25 mm | 23 mm | 0,030 kg |

### steel, batch/hot-dip galvanized

| Products | H     | B     | L     | W        |
|----------|-------|-------|-------|----------|
| GVE F    | 11 mm | 25 mm | 23 mm | 0,030 kg |

### Stainless steel, according to ASTM 304 / BS 304 S 3

| Products | H     | B     | L     | W        |
|----------|-------|-------|-------|----------|
| GVE E    | 11 mm | 25 mm | 23 mm | 0,030 kg |

**H:** height  
**B:** width  
**L:** length  
**W:** Weight per storage unit



# PRODUCT INFORMATION

## DETAIL AND APPLICATION IMAGES

