

GV-L 30

Mesh cable tray universal connector

The mesh cable tray connector GV-L 30 is used to install mesh cable trays on walls and ceilings in accordance with the installation instructions. We provide components in various materials and surface finishes to ensure that the corrosion requirements are met for all sorts of applications.

steel, galvanic zinc plated

Products	H	B	L	weight
GV-L 30GV	8 mm	22 mm	41 mm	0,017 kg

steel, batch/hot-dip galvanized

Products	H	B	L	weight
GV-L 30F	8 mm	22 mm	41 mm	0,017 kg

Stainless steel, according to ASTM 304 / BS 304 S 3

Products	H	B	L	weight
GV-L 30E	8 mm	22 mm	41 mm	0,016 kg

Stainless steel, according to ASTM 316 Ti / AISI 316 L, BS 320S17 / BS 316S11

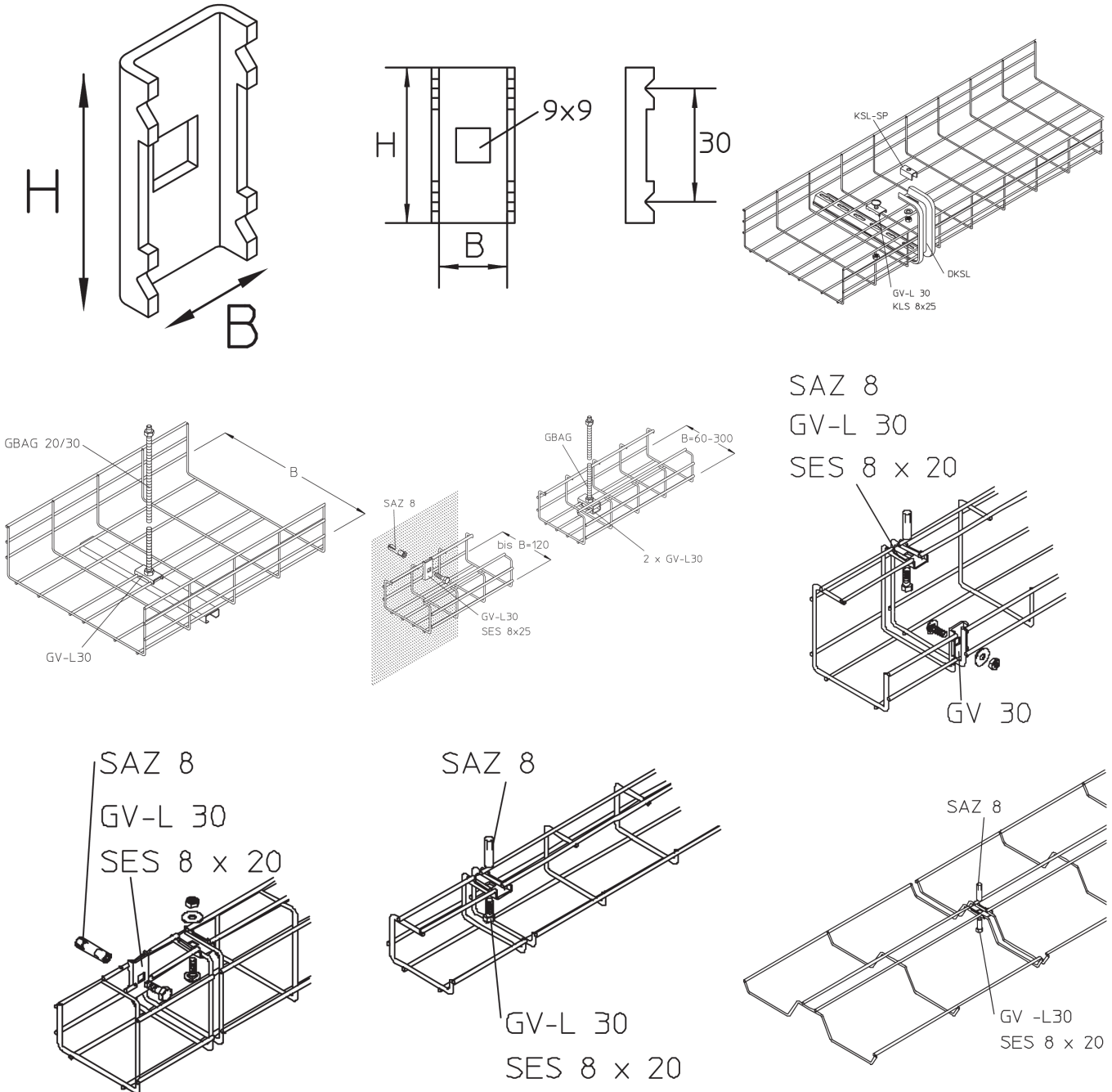
Products	H	B	L	weight
GV-L 30E4	8 mm	22 mm	41 mm	0,016 kg



PRODUCT INFORMATION

H: height
B: width
L: length

DETAIL AND APPLICATION IMAGES



PRODUCT INFORMATION

