

GV 30

Mesh cable tray universal connector

Mesh cable trays of the types G, GI and GTDW can be mounted quickly and easily in a straight orientation using GV 30 mesh cable tray connectors. However, GV 30 mesh cable tray connectors are also used for horizontal changes in direction of the aforementioned mesh cable tray. Assembly plates are also installed on mesh cable trays using a GV 30. This makes it very versatile. The GV 30 is a set of two GV-L 30 mesh cable tray connectors and a round-head bolt, hexagonal nut and washer. We provide components in various materials and surface finishes to ensure that the corrosion requirements are met for all sorts of applications.

steel, galvanic zinc plated

Products	H	B	L	weight
GV 30GV	8 mm	22 mm	41 mm	0,040 kg
incl.:				
1 x GV-L 30GV, 1 x FRSV 8X16, 1 x SEM 8, 1 x US 8X25				

steel, continously hot galvanized/Sendzimir process

Products	H	B	L	weight
GV 30S	8 mm	22 mm	41 mm	0,040 kg
incl.:				
1 x GV-L 30F, 1 x FRSV 8X16, 1 x SEM 8, 1 x US 8X25				

steel, batch/hot-dip galvanized

Products	H	B	L	weight
GV 30F	8 mm	22 mm	41 mm	0,040 kg
incl.:				
1 x GV-L 30F, 1 x FRSV 8X16E, 1 x SEM 8E, 1 x US 8X25E				



PRODUCT INFORMATION

Stainless steel, according to ASTM 304 / BS 304 S 3

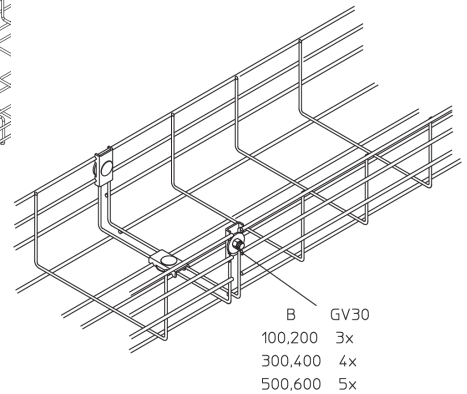
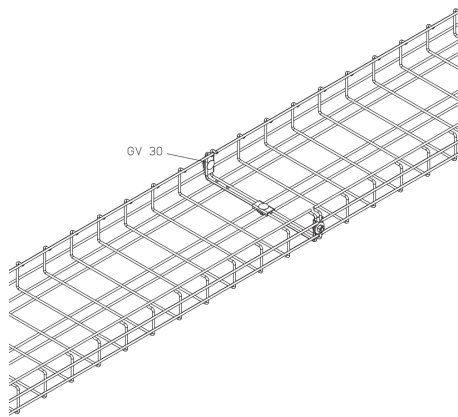
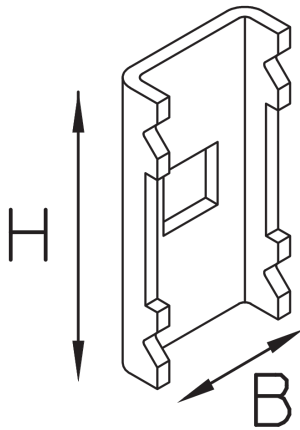
Products	H	B	L	weight
GV 30E	8 mm	22 mm	41 mm	0,039 kg
incl.:				
1 x FRSV 8X16E, 1 x SEM 8E, 1 x US 8X25E, 1 x GV-L 30E				

Stainless steel, according to ASTM 316 Ti / AISI 316 L, BS 320S17 / BS 316S11

Products	H	B	L	weight
GV 30E4	8 mm	22 mm	41 mm	0,039 kg
incl.:				
1 x GV-L 30E4, 1 x FKS 8X16E4, 1 x SEM 8E4, 1 x US 8X25E4				

H: height
B: width
L: length

DETAIL AND APPLICATION IMAGES



SAZ 8
GV-L 30
SES 8 x 20

