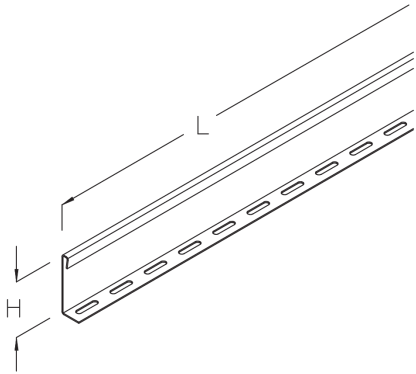


GTR 60

Mesh cable tray separating strip, height = 50 mm



Cables and lines with different functions or voltages can be routed separately from one another in the same mesh cable tray using the mesh cable tray separating strip GTR 60. The separating strip is mounted on the mesh cable tray with three KLU clamp fasteners: two KLU each 100 mm from the separating strip end, one KLU in the middle. The mesh cable tray separating strip GTR 60 is 50 mm high and 3000 mm long. We provide components in various materials and surface finishes to ensure that the corrosion requirements are met for all sorts of applications.

steel, continuously hot galvanized/Sendzimir process

Products	H	L	weight
GTR 60S	50 mm	3000 mm	1,570 kg
incl.:			
3 × FRSV 6X16, 3 × SEMS 6, 3 × KLU-L F			

steel, batch/hot-dip galvanized

Products	H	L	weight
GTR 60F	50 mm	3000 mm	1,676 kg
incl.:			
3 × FRSV 6X16E, 3 × SEMS 6E, 3 × KLU-L F			

Stainless steel, according to ASTM 304 / BS 304 S 3

Products	H	L	weight
GTR 60E	50 mm	3000 mm	2,091 kg
incl.:			
3 × KLU-L E, 3 × FRSV 6X16E, 3 × SEMS 6E			



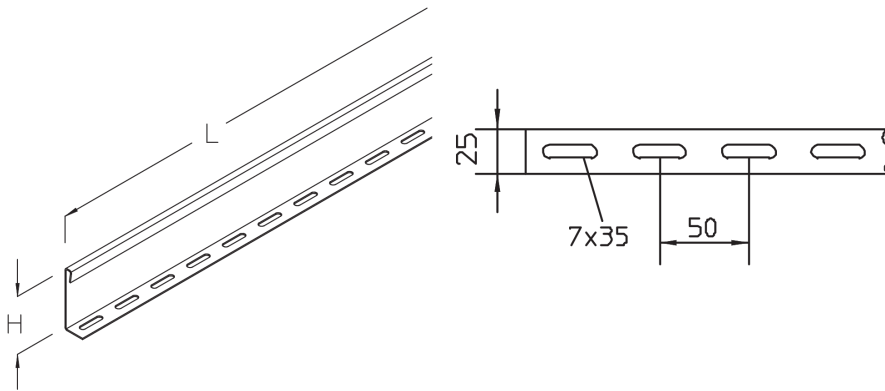
PRODUCT INFORMATION

Stainless steel, according to ASTM 316 Ti / AISI 316 L, BS 320S17 / BS 316S11

Products	H	L	weight
GTR 60E4	33 mm	3000 mm	2,113 kg
incl.:			
3 × KLU-L E4, 3 × SEM 6E4, 3 × FKS 6X16E4, 3 × US 6X12E4			

H: height
L: length

DETAIL AND APPLICATION IMAGES



OPTIONAL ACCESSORIES

GI

