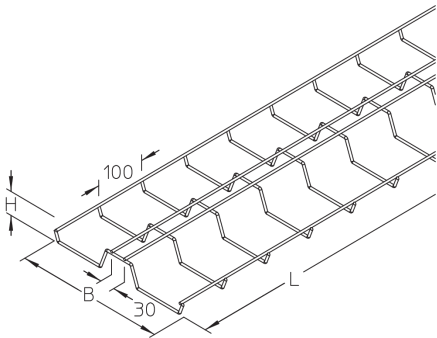


GTD 30

Mesh cable tray, W-shaped, height = 50 mm

The GTD 30 W-shaped mesh cable tray has sides 50 mm high and is 300 mm wide. The standard length is 3000 mm. We provide components in various materials and surface finishes to ensure that the corrosion requirements are met for all sorts of applications.



steel, galvanic zinc plated

Products	H	B	L	t	A	Q _{SK}	weight
GTD 30GV	50 mm	300 mm	3000 mm	4,50 mm	85 cm ²	0,13 kN/m	3,010 kg

steel, continously hot galvanized/Sendzimir process

Products	H	B	L	t	A	Q _{SK}	weight
GTD 30S	50 mm	300 mm	3000 mm	4,50 mm	85 cm ²	0,13 kN/m	3,010 kg

steel, batch/hot-dip galvanized

Products	H	B	L	t	A	Q _{SK}	weight
GTD 30F	50 mm	300 mm	3000 mm	4,50 mm	85 cm ²	0,13 kN/m	3,220 kg

Stainless steel, according to ASTM 304 / BS 304 S 3

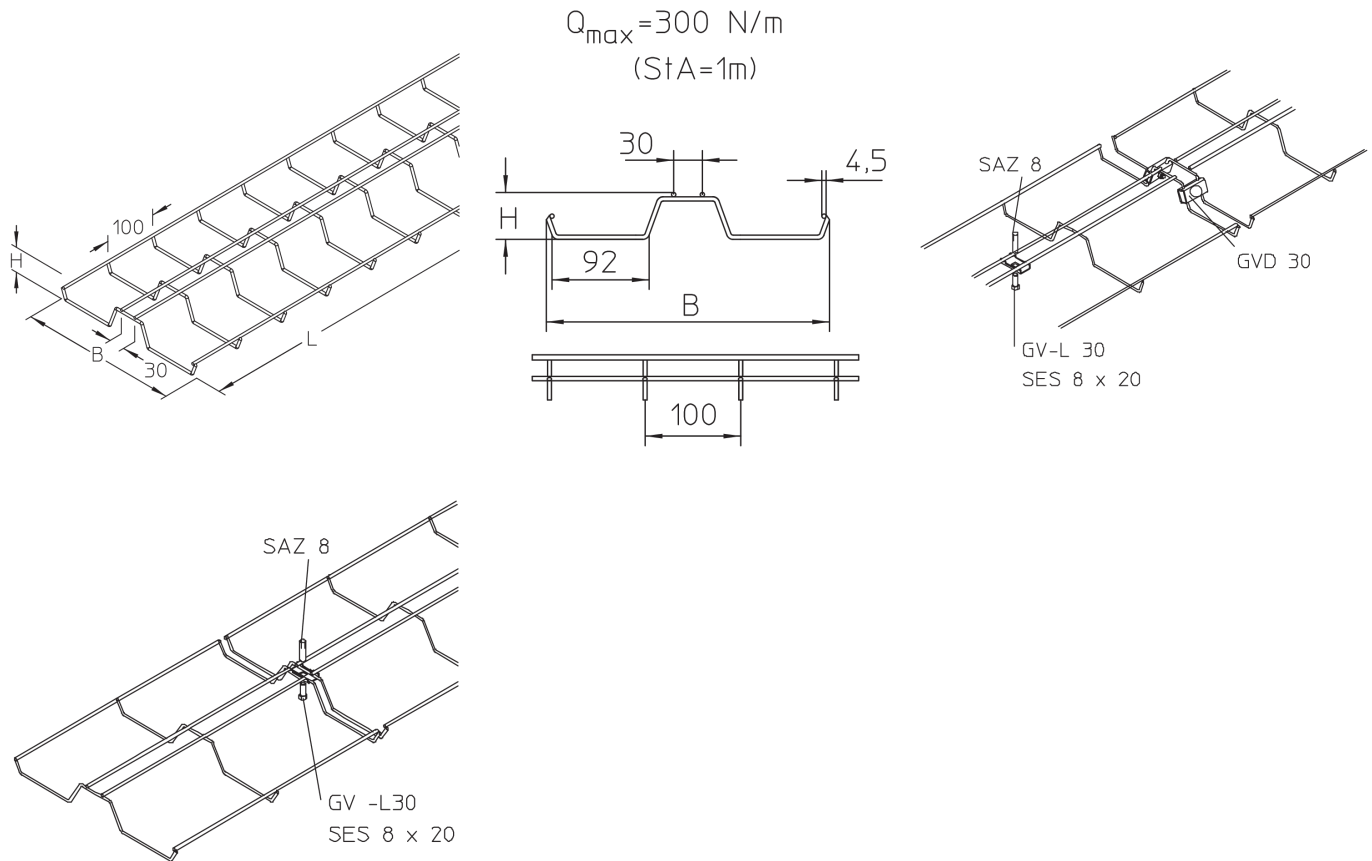
Products	H	B	L	t	A	Q _{SK}	weight
GTD 30E	50 mm	300 mm	3000 mm	4,50 mm	85 cm ²	0,13 kN/m	3,030 kg



PRODUCT INFORMATION

H: height
B: width
L: length
t: material thickness
A: cross section area
Q_{SK}: distributed load control cable

DETAIL AND APPLICATION IMAGES



OPTIONAL ACCESSORIES

GV 30, GVD 30, GV-L 30, GVU, GVK, GKAB, MP-G, MP-G90, KLU, GH 6x24

