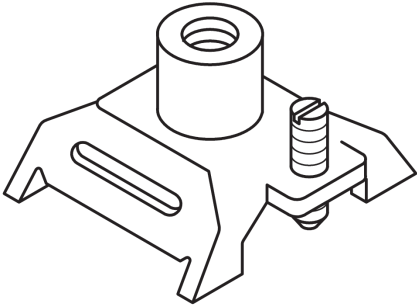


PRODUCT INFORMATION

GP

Base plate

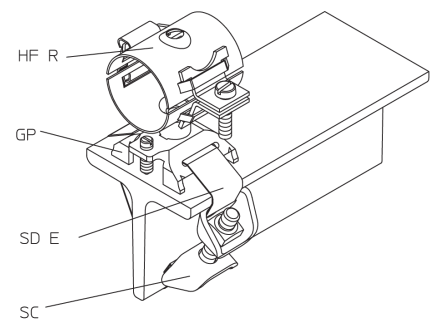
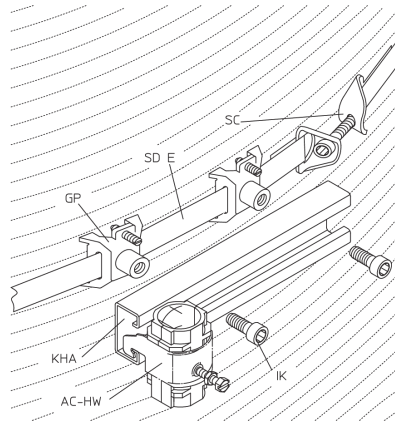
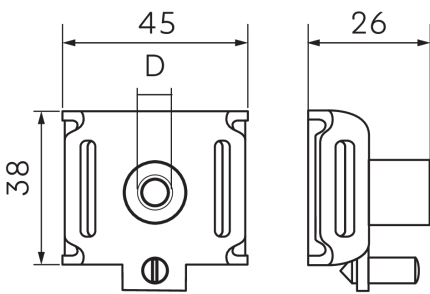
The base plate GP is used in conjunction with the SD strap and the SC tension clamp to create an M8 threaded attachment point on a structure. The base plate GP is made of hot-dip galvanised steel.



Products	D	weight
GP	8 mm	0,059 kg
GP 6	6 mm	0,062 kg

D: diameter

DETAIL AND APPLICATION IMAGES



OPTIONAL ACCESSORIES

SC, SD E, RGW, IK, IKK

Page 1



PohlCon GmbH
Nobelstraße 51 | 12057 Berlin
Telefon: +49 30 68283-04 | Fax: +49 30 68283-383 | contact@pohlcon.com





PohlCon GmbH
Nobelstraße 51 | 12057 Berlin
Telefon: +49 30 68283-04 | Fax: +49 30 68283-383 | contact@pohlcon.com

