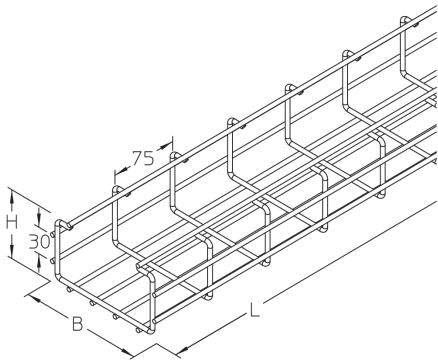


## GI

Mesh cable tray, C-shaped, height = 75 mm

The C-shaped mesh cable tray GI has sides 75 mm high and is available in different widths. The standard length is 3000 mm. We provide components in various materials and surface finishes to ensure that the corrosion requirements are met for all sorts of applications.



### steel, galvanic zinc plated

Products	H	B	L	t	A	Q <sub>SK</sub>	W
GI 06GV	75 mm	76 mm	3000 mm	4,50 mm	33 cm <sup>2</sup>	0,05 kN/m	4,100 kg
GI 12GV	75 mm	136 mm	3000 mm	4,50 mm	67 cm <sup>2</sup>	0,1 kN/m	5,160 kg
GI 20GV	75 mm	216 mm	3000 mm	4,50 mm	113 cm <sup>2</sup>	0,17 kN/m	5,570 kg
GI 30GV	75 mm	316 mm	3000 mm	4,50 mm	165 cm <sup>2</sup>	0,25 kN/m	6,840 kg

### steel, continuously hot galvanized/Sendzimir process

Products	H	B	L	t	A	Q <sub>SK</sub>	W
GI 06S	75 mm	76 mm	3000 mm	4,50 mm	33 cm <sup>2</sup>	0,05 kN/m	4,100 kg
GI 12S	75 mm	136 mm	3000 mm	4,50 mm	67 cm <sup>2</sup>	0,1 kN/m	5,160 kg
GI 20S	75 mm	216 mm	3000 mm	4,50 mm	113 cm <sup>2</sup>	0,17 kN/m	5,570 kg
GI 30S	75 mm	316 mm	3000 mm	4,50 mm	165 cm <sup>2</sup>	0,25 kN/m	6,840 kg

### steel, batch/hot-dip galvanized

Products	H	B	L	t	A	Q <sub>SK</sub>	W
GI 06F	75 mm	76 mm	3000 mm	4,50 mm	33 cm <sup>2</sup>	0,05 kN/m	4,390 kg
GI 12F	75 mm	136 mm	3000 mm	4,50 mm	67 cm <sup>2</sup>	0,1 kN/m	5,520 kg
GI 20F	75 mm	216 mm	3000 mm	4,50 mm	113 cm <sup>2</sup>	0,17 kN/m	5,960 kg



# PRODUCT INFORMATION

Products	H	B	L	t	A	Q <sub>SK</sub>	W
GI 30F	75 mm	316 mm	3000 mm	4,50 mm	165 cm <sup>2</sup>	0,25 kN/m	7,310 kg

## Stainless steel, according to ASTM 304 / BS 304 S 3

Products	H	B	L	t	A	Q <sub>SK</sub>	W
GI 06E	75 mm	76 mm	3000 mm	4,50 mm	33 cm <sup>2</sup>	0,05 kN/m	4,140 kg
GI 12E	75 mm	136 mm	3000 mm	4,50 mm	67 cm <sup>2</sup>	0,1 kN/m	5,200 kg
GI 20E	75 mm	216 mm	3000 mm	4,50 mm	113 cm <sup>2</sup>	0,17 kN/m	5,620 kg
GI 30E	75 mm	316 mm	3000 mm	4,50 mm	165 cm <sup>2</sup>	0,25 kN/m	6,890 kg

## Stainless steel, according to ASTM 316 Ti / AISI 316 L, BS 320S17 / BS 316S11

Products	H	B	L	t	A	Q <sub>SK</sub>	W
GI 06E4	75 mm	76 mm	3000 mm	4,50 mm	33 cm <sup>2</sup>	0,05 kN/m	4,170 kg
GI 12E4	75 mm	136 mm	3000 mm	4,50 mm	67 cm <sup>2</sup>	0,1 kN/m	5,250 kg
GI 20E4	75 mm	216 mm	3000 mm	4,50 mm	113 cm <sup>2</sup>	0,17 kN/m	5,660 kg
GI 30E4	75 mm	316 mm	3000 mm	4,50 mm	165 cm <sup>2</sup>	0,25 kN/m	6,950 kg

**H:** height

**B:** width

**L:** length

**t:** material thickness

**A:** cross section area

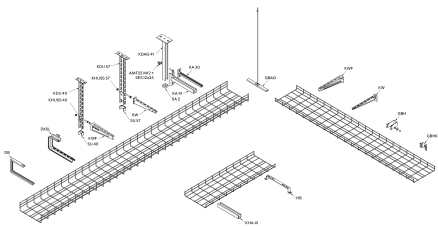
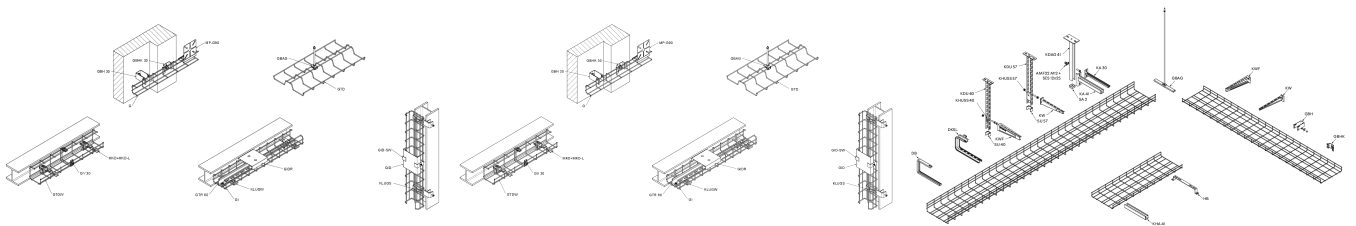
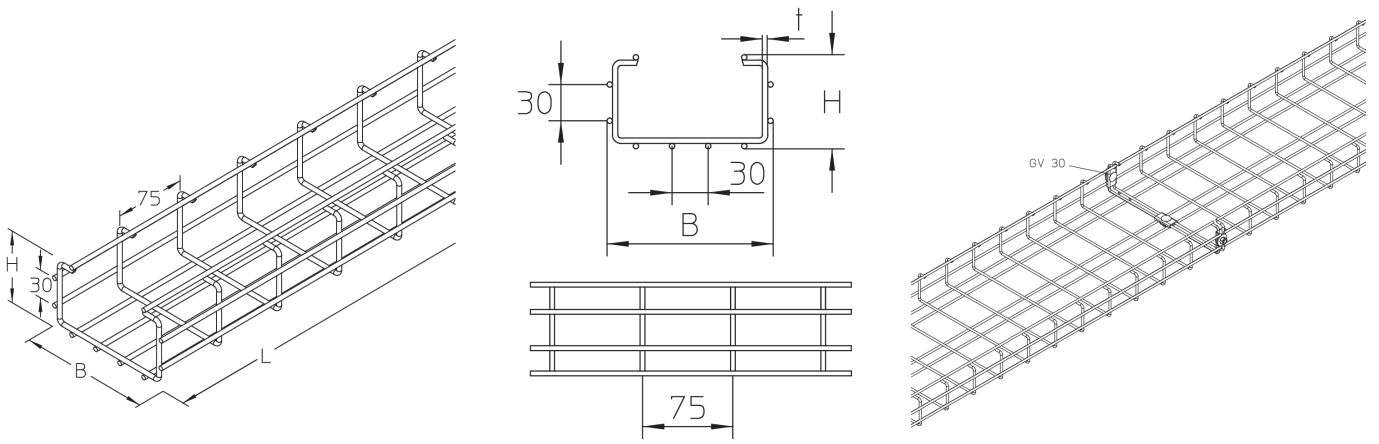
**Q<sub>SK</sub>:** distributed load control cable

**W:** Weight per storage unit

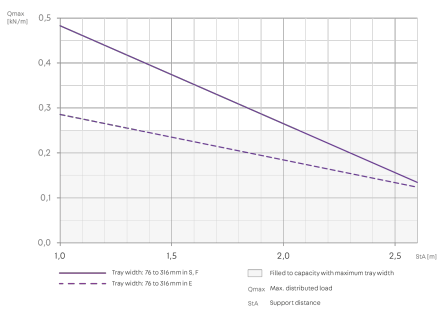
## DETAIL AND APPLICATION IMAGES



# PRODUCT INFORMATION



## LOAD DIAGRAM



## OPTIONAL ACCESSORIES

GID, GIDR, GID-SW, GV 30, GVD 30, GV-L 30, GVU, GVK, GTR 60, MP-G, MP-G90, KLU, GKAB, GH 6x24, MKD-L

