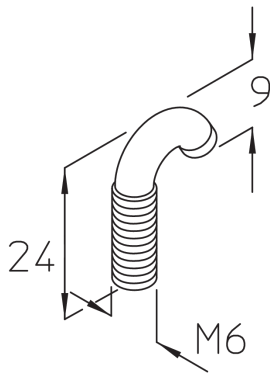


GH 6x24

Mounting hooks

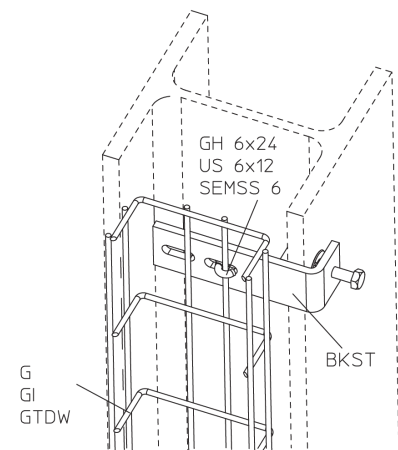
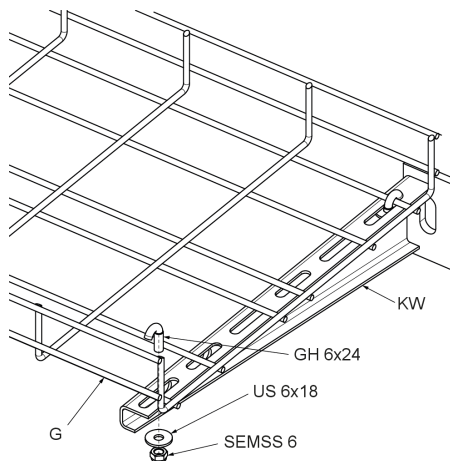
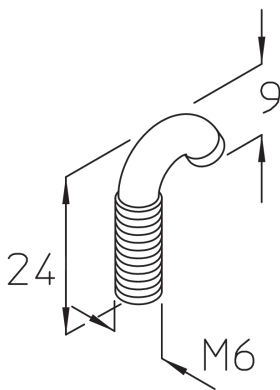


The fastening hook GH 6x24 can be used to fasten mesh cable trays or to mount parts on mesh cable trays. It is part of the storm protection bracket GD-SW or GID-SW. In addition, it can be used along with the BKST fixing clamps and the MKD L connecting link when installing mesh cable trays on steel beams. It is made of stainless steel.

Stainless steel, according to ASTM 304 / BS 304 S 3

Products	weight
GH 6X24E	0,006 kg

DETAIL AND APPLICATION IMAGES



PRODUCT INFORMATION

