

GDR

Mesh cable tray cover with turning bolts

The mesh cable tray covers GDR with turning bolts are suitable for mesh cable tray G 50 and G 100 and protect them from dirt, contact and moisture. They snap into place and interlock with the side rails. If the covers are to be used outdoors, additional securing brackets to protect against wind are required. In this case, the twist lock alone is not sufficient as a retaining element. The mesh cable tray covers are 60 to 600 mm wide and have a standard length of 3000 mm. We provide components in various materials and surface finishes to ensure that the corrosion requirements are met for all sorts of applications.

steel, continuously hot galvanized/Senzimir process

Products	B	L	t	weight
GDR 06S	77 mm	3000 mm	0,75 mm	2,170 kg
GDR 10S	117 mm	3000 mm	0,75 mm	2,400 kg
GDR 20S	217 mm	3000 mm	0,75 mm	4,150 kg
GDR 30S	317 mm	3000 mm	1,00 mm	7,900 kg
GDR 40S	417 mm	3000 mm	1,00 mm	10,250 kg
GDR 50S	517 mm	3000 mm	1,25 mm	15,730 kg
GDR 60S	617 mm	3000 mm	1,25 mm	18,670 kg

steel, batch/hot-dip galvanized

Products	B	L	t	weight
GDR 06F	77 mm	3000 mm	0,75 mm	2,180 kg
GDR 10F	117 mm	3000 mm	0,75 mm	2,400 kg
GDR 20F	217 mm	3000 mm	0,75 mm	4,150 kg
GDR 30F	317 mm	3000 mm	1,00 mm	7,900 kg
GDR 40F	417 mm	3000 mm	1,00 mm	10,250 kg
GDR 50F	517 mm	3000 mm	1,25 mm	15,730 kg
GDR 60F	617 mm	3000 mm	1,25 mm	18,670 kg



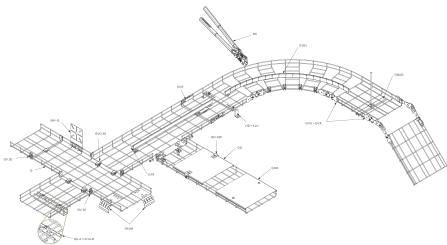
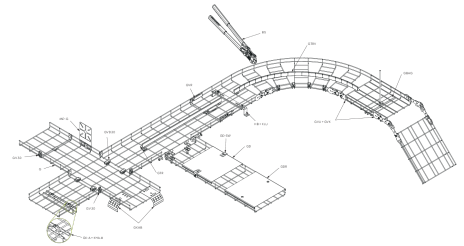
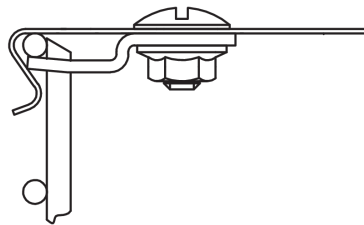
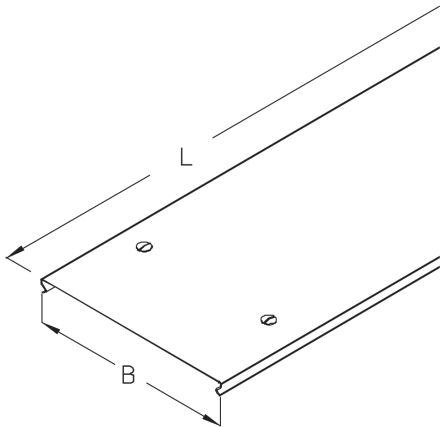
PRODUCT INFORMATION

Stainless steel, according to ASTM 304 / BS 304 S 3

Products	B	L	t	weight
GDR 06E	77 mm	3000 mm	0,80 mm	2,190 kg
GDR 10E	117 mm	3000 mm	0,80 mm	2,600 kg
GDR 20E	217 mm	3000 mm	0,80 mm	4,500 kg
GDR 30E	317 mm	3000 mm	1,00 mm	7,940 kg
GDR 40E	417 mm	3000 mm	1,00 mm	10,310 kg
GDR 50E	517 mm	3000 mm	1,25 mm	15,160 kg
GDR 60E	617 mm	3000 mm	1,25 mm	18,010 kg

B: width
L: length
t: material thickness

DETAIL AND APPLICATION IMAGES



OPTIONAL ACCESSORIES

GD-SW

