

GD

Mesh cable tray cover

The mesh cable tray covers GD are suitable for mesh cable tray G 50 and G 100 and protect them from dirt, contact and moisture. They snap into place and interlock with the side rails. If the covers are to be used outdoors, additional securing brackets to protect against wind are required. The mesh cable tray covers are 60 to 600 mm wide and have a standard length of 3000 mm. We provide components in various materials and surface finishes to ensure that the corrosion requirements are met for all sorts of applications.

steel, continuously hot galvanized/Senzimir process

Products	B	L	t	weight
GD 06S	77 mm	3000 mm	0,75 mm	1,960 kg
GD 10S	117 mm	3000 mm	0,75 mm	2,670 kg
GD 20S	217 mm	3000 mm	0,75 mm	4,430 kg
GD 30S	317 mm	3000 mm	1,00 mm	8,270 kg
GD 40S	417 mm	3000 mm	1,00 mm	10,620 kg
GD 50S	517 mm	3000 mm	1,25 mm	16,250 kg
GD 60S	617 mm	3000 mm	1,25 mm	19,190 kg

steel, batch/hot-dip galvanized

Products	B	L	t	weight
GD 06F	77 mm	3000 mm	0,75 mm	2,100 kg
GD 10F	117 mm	3000 mm	0,75 mm	2,850 kg
GD 20F	217 mm	3000 mm	0,75 mm	4,740 kg
GD 30F	317 mm	3000 mm	1,00 mm	8,840 kg
GD 40F	417 mm	3000 mm	1,00 mm	11,360 kg
GD 50F	517 mm	3000 mm	1,25 mm	17,390 kg
GD 60F	617 mm	3000 mm	1,25 mm	20,540 kg



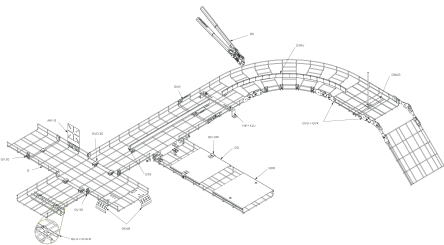
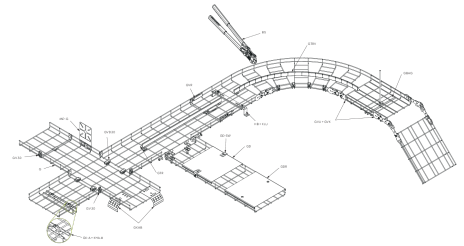
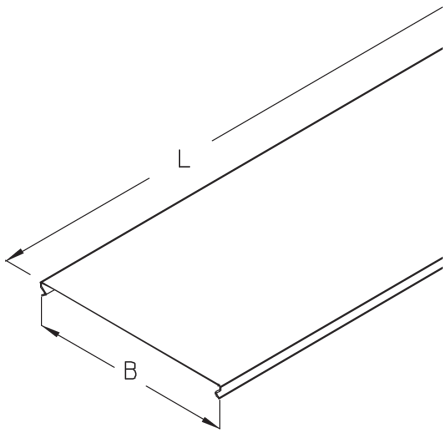
PRODUCT INFORMATION

Stainless steel, according to ASTM 304 / BS 304 S 3

Products	B	L	t	weight
GD 06E	77 mm	3000 mm	0,80 mm	2,100 kg
GD 10E	117 mm	3000 mm	0,80 mm	2,860 kg
GD 20E	217 mm	3000 mm	0,80 mm	4,760 kg
GD 30E	317 mm	3000 mm	1,00 mm	8,320 kg
GD 40E	417 mm	3000 mm	1,00 mm	10,690 kg
GD 50E	517 mm	3000 mm	1,25 mm	16,350 kg
GD 60E	617 mm	3000 mm	1,25 mm	19,320 kg

B: width
L: length
t: material thickness

DETAIL AND APPLICATION IMAGES



OPTIONAL ACCESSORIES

GD-SW

