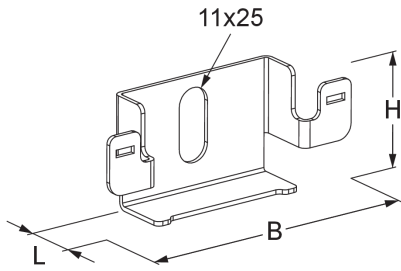


GBHKK

Short spacer bracket for G 35 mesh cable tray

Using the GBHKK spacer bracket, the G 35 mesh cable trays can be mounted horizontally up to 100 mm wide on the side longitudinal wire with a short distance to the wall. The GBHKK spacer bracket is suitable for support distances of up to 1000 mm. Various materials and surfaces ensure that the corrosion requirements of a wide range of applications are met.



steel, continuously hot galvanized/Senzimir process

Products	H	B	L	W
GBHKK S	39 mm	94 mm	21 mm	0,049 kg

Stainless steel, according to ASTM 304 / BS 304 S 3

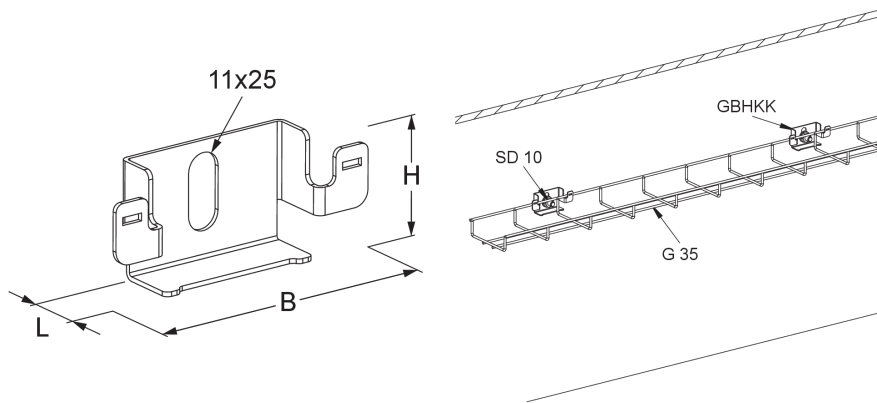
Products	H	B	L	W
GBHKK E	39 mm	94 mm	21 mm	0,050 kg

H: height
B: width
L: length
W: Weight per storage unit

DETAIL AND APPLICATION IMAGES



PRODUCT INFORMATION



OPTIONAL ACCESSORIES

SD

