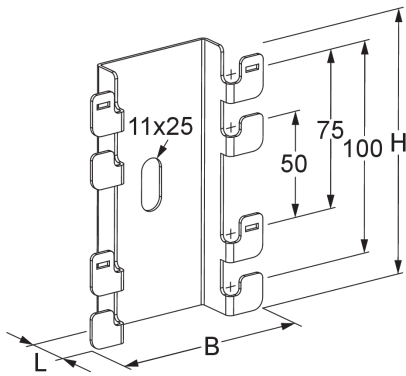


GBHK 50

Short spacer bracket for mesh cable tray grid size 30

Mesh cable trays G and GI can be mounted vertically on the longitudinal wires of the mesh cable tray base at a short distance from the wall using the spacer bracket GBHK 50. For larger mesh cable tray widths, two spacer brackets are required, arranged next to each other. The spacer bracket GBHK 50 is suitable for a mesh cable tray grid size (wire spacing) of 50/75/100 mm and support spacings of up to 1500 mm. We provide components in various materials and surface finishes to ensure that the corrosion requirements are met for all sorts of applications.



steel, continuously hot galvanized/Sendzimir process

Products	H	B	L	a	W
GBHK 50S	125 mm	94 mm	21 mm	50/75/100 mm	0,150 kg

steel, batch/hot-dip galvanized

Products	H	B	L	a	W
GBHK 50F	125 mm	94 mm	21 mm	50/75/100 mm	0,161 kg

Stainless steel, according to ASTM 304 / BS 304 S 3

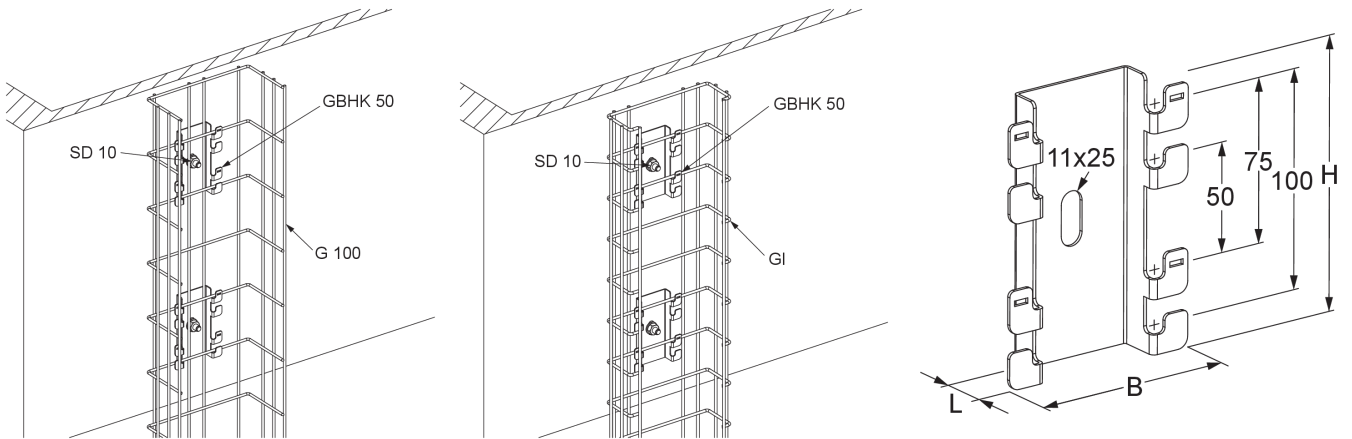
Products	H	B	L	a	W
GBHK 50E	125 mm	94 mm	21 mm	50/75/100 mm	0,156 kg

H: height
B: width
L: length
a: Mesh cable tray spacing
W: Weight per storage unit



PRODUCT INFORMATION

DETAIL AND APPLICATION IMAGES



OPTIONAL ACCESSORIES

SD

