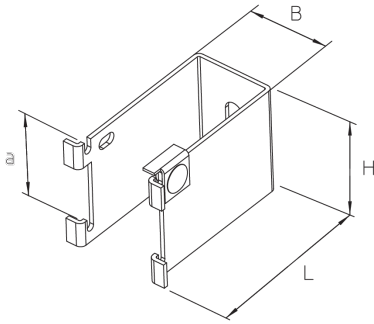


GBH 50

Spacer bracket for mesh cable tray grid size 50



Mesh cable trays G can be mounted horizontally tilted on the longitudinal wires of the mesh cable tray at a distance from the wall using the spacer bracket GBH 50, whereby two spacer brackets arranged one above the other are required for larger mesh cable tray widths. The spacer bracket GBH 50 is suitable for a mesh cable tray grid size (wire spacing) of 50 mm and support spacings of up to 1500 mm. We provide components in various materials and surface finishes to ensure that the corrosion requirements are met for all sorts of applications.

steel, continuously hot galvanized/Sendzimir process

Products	H	B	L	Mesh cable tray spacing	weight
GBH 50S	65 mm	50 mm	100 mm	50 mm	0,369 kg
incl.:					
1 × GBH-SL S, 1 × FRSV 6X12, 1 × SEMS 6					

steel, batch/hot-dip galvanized

Products	H	B	L	Mesh cable tray spacing	weight
GBH 50F	65 mm	50 mm	100 mm	50 mm	0,343 kg
incl.:					
1 × GBH-SL F, 1 × FRSV 6X12E, 1 × SEMS 6E					

Stainless steel, according to ASTM 304 / BS 304 S 3

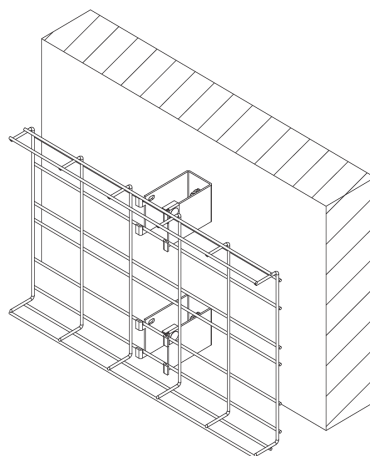
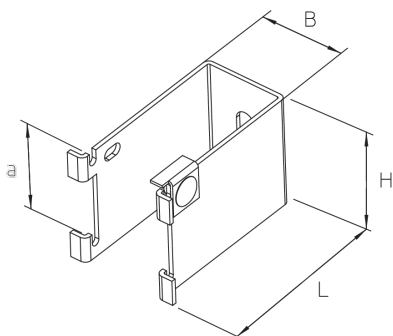
Products	H	B	L	Mesh cable tray spacing	weight
GBH 50E	65 mm	50 mm	100 mm	50 mm	0,369 kg
incl.:					
1 × GBH-SL E, 1 × FRSV 6X12E, 1 × SEMS 6E					



PRODUCT INFORMATION

H: height
B: width
L: length

DETAIL AND APPLICATION IMAGES



OPTIONAL ACCESSORIES

SD

