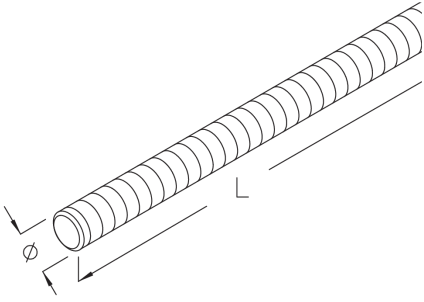


GB

Threaded rod, DIN 976-1



Threaded rods GB are used to attach light pendant suspensions and to fasten standard support structures. They are available in M8, M10 and M12 threads and have a length of 300, 500 or 1000 mm. We provide components in various materials and surface finishes to ensure that various corrosion protection requirements for different areas of application are met. Stress areas according to DIN 267-4: GB M8 = 36.6 mm², GB M10 = 58.0 mm², GB M12 = 84.3 mm².

steel, galvanic zinc plated

Products	ø	L	weight
GB M8-03	8 mm	300 mm	0,082 kg
GB M8-05	8 mm	500 mm	0,153 kg
GB M8-10	8 mm	1000 mm	0,307 kg
GB M10-03	10 mm	300 mm	0,141 kg
GB M10-05	10 mm	1000 mm	0,243 kg
GB M10-10	10 mm	1000 mm	0,497 kg
GB M12-03	12 mm	300 mm	0,217 kg
GB M12-05	12 mm	500 mm	0,362 kg
GB M12-10	12 mm	1000 mm	0,725 kg

Stainless steel, according to ASTM 304 / BS 304 S 3

Products	ø	L	weight
GB M8-10E	8 mm	1000 mm	0,309 kg
GB M10-10E	10 mm	1000 mm	0,500 kg
GB M12-10E	12 mm	1000 mm	0,730 kg

Ø: thread diameter
L: length



PRODUCT INFORMATION

DETAIL AND APPLICATION IMAGES

