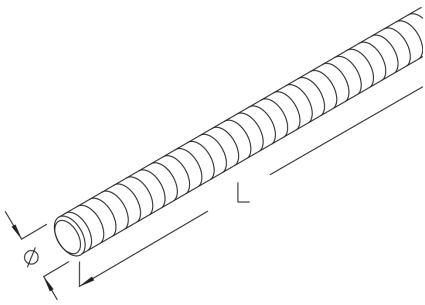


PRODUCT INFORMATION



GB Threaded rod, DIN 976-1

steel, galvanic zinc plated

| Products | Ø | B | L | W |
|-----------|-------|-------|---------|----------|
| GB M8-03 | 8 mm | 8 mm | 300 mm | 0,082 kg |
| GB M8-05 | 8 mm | 8 mm | 500 mm | 0,153 kg |
| GB M8-10 | 8 mm | 8 mm | 1000 mm | 0,307 kg |
| GB M10-03 | 10 mm | 10 mm | 300 mm | 0,141 kg |
| GB M10-05 | 10 mm | 10 mm | 1000 mm | 0,243 kg |
| GB M10-10 | 10 mm | 10 mm | 1000 mm | 0,497 kg |
| GB M12-03 | 12 mm | 12 mm | 300 mm | 0,217 kg |
| GB M12-05 | 12 mm | 12 mm | 500 mm | 0,362 kg |
| GB M12-10 | 12 mm | 12 mm | 1000 mm | 0,725 kg |

Ø: thread diameter
B: width
L: length
W: Weight per storage unit

DETAIL AND APPLICATION IMAGES



PRODUCT INFORMATION

