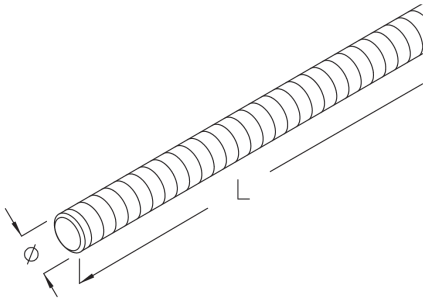


# PRODUCT INFORMATION



## GB Threaded rod, DIN 976-1

steel, galvanic zinc plated

Products	Ø	B	L	W
GB M8-03	8 mm	8 mm	300 mm	0,082 kg
GB M8-05	8 mm	8 mm	500 mm	0,153 kg
GB M8-10	8 mm	8 mm	1000 mm	0,307 kg
GB M10-03	10 mm	10 mm	300 mm	0,141 kg
GB M10-05	10 mm	10 mm	1000 mm	0,243 kg
GB M10-10	10 mm	10 mm	1000 mm	0,497 kg
GB M12-03	12 mm	12 mm	300 mm	0,217 kg
GB M12-05	12 mm	12 mm	500 mm	0,362 kg
GB M12-10	12 mm	12 mm	1000 mm	0,725 kg

Ø: thread diameter  
B: width  
L: length  
W: Weight per storage unit

## DETAIL AND APPLICATION IMAGES



# PRODUCT INFORMATION

