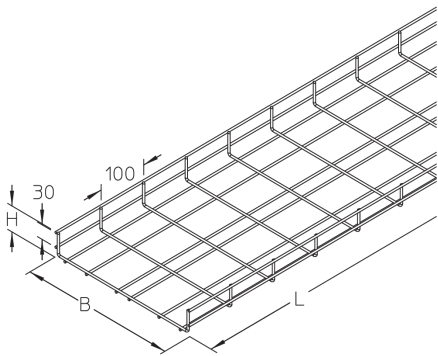


G 50

Mesh cable tray, U-shaped, height = 53 mm

The U-shaped mesh cable tray G 50 has sides 50 mm high and is available in tray widths from 76 to 618 mm. The standard length is 3000 mm. We provide components in various materials and surface finishes to ensure that the corrosion requirements are met for all sorts of applications.



steel, galvanic zinc plated

Products	H	B	L	t	A	Q _{SK}	weight
G 50-06GV	53 mm	76 mm	3000 mm	4,00 mm	25 cm ²	0,04 kN/m	2,240 kg
G 50-10GV	53 mm	116 mm	3000 mm	4,00 mm	45 cm ²	0,07 kN/m	2,370 kg
G 50-20GV	53 mm	216 mm	3000 mm	4,00 mm	90 cm ²	0,14 kN/m	3,270 kg
G 50-30GV	53 mm	316 mm	3000 mm	4,00 mm	135 cm ²	0,2 kN/m	4,170 kg
G 50-40GV	53 mm	418 mm	3000 mm	4,50 mm	176 cm ²	0,26 kN/m	6,410 kg
G 50-50GV	53 mm	518 mm	3000 mm	4,50 mm	220 cm ²	0,33 kN/m	7,540 kg
G 50-60GV	53 mm	618 mm	3000 mm	4,50 mm	264 cm ²	0,4 kN/m	8,680 kg

steel, continously hot galvanized/Senzimir process

Products	H	B	L	t	A	Q _{SK}	weight
G 50-06S	53 mm	76 mm	3000 mm	4,00 mm	25 cm ²	0,04 kN/m	2,200 kg
G 50-10S	53 mm	116 mm	3000 mm	4,00 mm	45 cm ²	0,07 kN/m	2,370 kg
G 50-15S	53 mm	166 mm	3000 mm	4,00 mm	67 cm ²	0,10 kN/m	2,520 kg
G 50-20S	53 mm	216 mm	3000 mm	4,00 mm	90 cm ²	0,14 kN/m	3,270 kg
G 50-30S	53 mm	316 mm	3000 mm	4,00 mm	135 cm ²	0,2 kN/m	4,170 kg
G 50-40S	53 mm	418 mm	3000 mm	4,50 mm	176 cm ²	0,26 kN/m	6,410 kg
G 50-50S	53 mm	518 mm	3000 mm	4,50 mm	220 cm ²	0,33 kN/m	7,540 kg
G 50-60S	53 mm	618 mm	3000 mm	4,50 mm	264 cm ²	0,4 kN/m	8,680 kg



PRODUCT INFORMATION

steel, batch/hot-dip galvanized

Products	H	B	L	t	A	Q _{SK}	weight
G 50-06F	53 mm	76 mm	3000 mm	4,00 mm	25 cm ²	0,04 kN/m	2,400 kg
G 50-10F	53 mm	116 mm	3000 mm	4,00 mm	45 cm ²	0,07 kN/m	2,530 kg
G 50-15F	53 mm	166 mm	3000 mm	4,00 mm	67 cm ²	0,10 kN/m	2,700 kg
G 50-20F	53 mm	216 mm	3000 mm	4,00 mm	90 cm ²	0,14 kN/m	3,500 kg
G 50-30F	53 mm	316 mm	3000 mm	4,00 mm	135 cm ²	0,2 kN/m	4,460 kg
G 50-40F	53 mm	418 mm	3000 mm	4,50 mm	176 cm ²	0,26 kN/m	6,850 kg
G 50-50F	53 mm	518 mm	3000 mm	4,50 mm	220 cm ²	0,33 kN/m	8,070 kg
G 50-60F	53 mm	618 mm	3000 mm	4,50 mm	264 cm ²	0,4 kN/m	9,290 kg

Stainless steel, according to ASTM 304 / BS 304 S 3

Products	H	B	L	t	A	Q _{SK}	weight
G 50-06E	53 mm	76 mm	3000 mm	4,00 mm	25 cm ²	0,04 kN/m	2,240 kg
G 50-10E	53 mm	116 mm	3000 mm	4,00 mm	45 cm ²	0,07 kN/m	2,370 kg
G 50-15E	53 mm	166 mm	3000 mm	4,00 mm	67 cm ²	0,10 kN/m	2,520 kg
G 50-20E	53 mm	216 mm	3000 mm	4,00 mm	90 cm ²	0,14 kN/m	3,270 kg
G 50-30E	53 mm	316 mm	3000 mm	4,00 mm	135 cm ²	0,2 kN/m	4,170 kg
G 50-40E	53 mm	418 mm	3000 mm	4,50 mm	176 cm ²	0,26 kN/m	6,460 kg
G 50-50E	53 mm	518 mm	3000 mm	4,50 mm	220 cm ²	0,33 kN/m	7,600 kg
G 50-60E	53 mm	618 mm	3000 mm	4,50 mm	264 cm ²	0,4 kN/m	8,750 kg

Stainless steel, according to ASTM 316 Ti / AISI 316 L, BS 320S17 / BS 316S11

Products	H	B	L	t	A	Q _{SK}	weight
G 50-06E4	53 mm	76 mm	3000 mm	4,00 mm	25 cm ²	0,04 kN/m	2,200 kg
G 50-10E4	53 mm	116 mm	3000 mm	4,00 mm	45 cm ²	0,07 kN/m	2,420 kg
G 50-20E4	53 mm	216 mm	3000 mm	4,00 mm	90 cm ²	0,14 kN/m	3,340 kg
G 50-30E4	53 mm	316 mm	3000 mm	4,00 mm	135 cm ²	0,2 kN/m	4,260 kg
G 50-40E4	53 mm	418 mm	3000 mm	4,50 mm	176 cm ²	0,26 kN/m	6,510 kg
G 50-50E4	53 mm	518 mm	3000 mm	4,50 mm	220 cm ²	0,33 kN/m	7,660 kg

Page 2

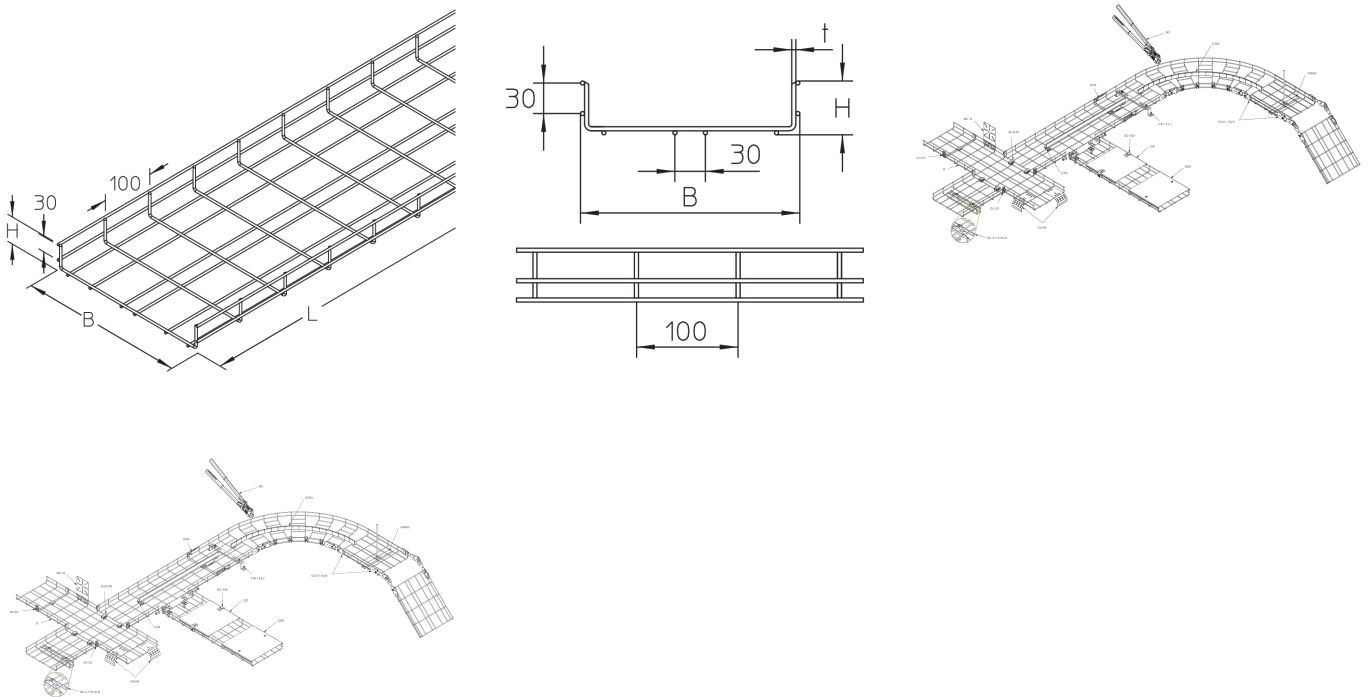


PRODUCT INFORMATION

Products	H	B	L	t	A	Q_{SK}	weight
G 50-60E4	53 mm	618 mm	3000 mm	4,50 mm	264 cm ²	0,4 kN/m	8,820 kg

H: height
B: width
L: length
t: material thickness
A: cross section area
 Q_{SK} : distributed load control cable

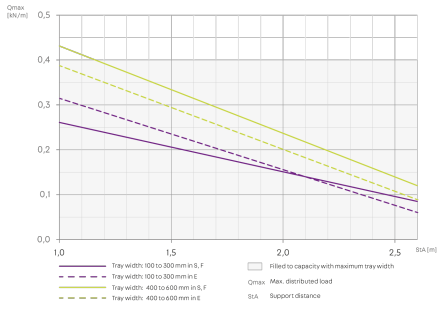
DETAIL AND APPLICATION IMAGES



LOAD DIAGRAM



PRODUCT INFORMATION



OPTIONAL ACCESSORIES

GD, GDR, GD-SW, GV 30, GVD 30, GV-L 30, GVU, GVK, GTR 50, MP-G, MP-G90, KLU, GKAB, GVR 4.0, GH 6x24, MKD-L

