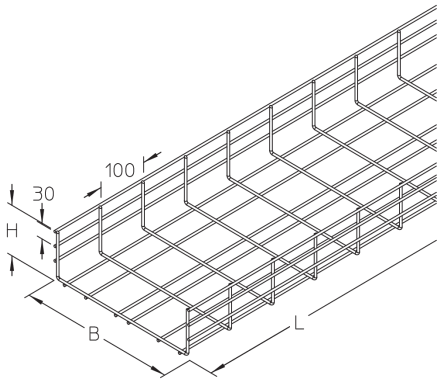


G 100

Mesh cable tray, U-shaped, height = 103 mm

The U-shaped mesh cable tray G 100 has sides 100 mm high and is available in tray widths from 116 to 618 mm. The standard length is 3000 mm. We provide components in various materials and surface finishes to ensure that the corrosion requirements are met for all sorts of applications.



steel, galvanic zinc plated

Products	H	B	L	t	A	Q _{SK}	weight
G 100-10GV	103 mm	116 mm	3000 mm	4,00 mm	95 cm ²	0,14 kN/m	3,270 kg
G 100-20GV	103 mm	216 mm	3000 mm	4,00 mm	190 cm ²	0,29 kN/m	4,170 kg
G 100-30GV	103 mm	318 mm	3000 mm	4,50 mm	282 cm ²	0,42 kN/m	6,410 kg
G 100-40GV	103 mm	418 mm	3000 mm	4,50 mm	376 cm ²	0,56 kN/m	7,540 kg
G 100-50GV	103 mm	518 mm	3000 mm	4,50 mm	470 cm ²	0,71 kN/m	8,680 kg
G 100-60GV	103 mm	618 mm	3000 mm	4,50 mm	564 cm ²	0,85 kN/m	9,820 kg

steel, continously hot galvanized/Sendzimir process

Products	H	B	L	t	A	Q _{SK}	weight
G 100-10S	103 mm	116 mm	3000 mm	4,00 mm	95 cm ²	0,14 kN/m	3,270 kg
G 100-15S	103 mm	166 mm	3000 mm	4,00 mm	142 cm ²	0,22 kN/m	4,020 kg
G 100-20S	103 mm	216 mm	3000 mm	4,00 mm	190 cm ²	0,29 kN/m	4,170 kg
G 100-30S	103 mm	318 mm	3000 mm	4,50 mm	282 cm ²	0,42 kN/m	6,410 kg
G 100-40S	103 mm	418 mm	3000 mm	4,50 mm	376 cm ²	0,56 kN/m	7,540 kg
G 100-50S	103 mm	518 mm	3000 mm	4,50 mm	470 cm ²	0,71 kN/m	8,680 kg
G 100-60S	103 mm	618 mm	3000 mm	4,50 mm	564 cm ²	0,85 kN/m	9,820 kg



PRODUCT INFORMATION

steel, batch/hot-dip galvanized

Products	H	B	L	t	A	Q _{SK}	weight
G 100-10F	103 mm	116 mm	3000 mm	4,00 mm	95 cm ²	0,14 kN/m	3,500 kg
G 100-15F	103 mm	166 mm	3000 mm	4,00 mm	142 cm ²	0,22 kN/m	4,300 kg
G 100-20F	103 mm	216 mm	3000 mm	4,00 mm	190 cm ²	0,29 kN/m	4,460 kg
G 100-30F	103 mm	318 mm	3000 mm	4,50 mm	282 cm ²	0,42 kN/m	6,850 kg
G 100-40F	103 mm	418 mm	3000 mm	4,50 mm	376 cm ²	0,56 kN/m	8,070 kg
G 100-50F	103 mm	518 mm	3000 mm	4,50 mm	470 cm ²	0,71 kN/m	9,290 kg
G 100-60F	103 mm	618 mm	3000 mm	4,50 mm	564 cm ²	0,85 kN/m	10,510 kg

Stainless steel, according to ASTM 304 / BS 304 S 3

Products	H	B	L	t	A	Q _{SK}	weight
G 100-10E	103 mm	116 mm	3000 mm	4,00 mm	95 cm ²	0,14 kN/m	3,270 kg
G 100-20E	103 mm	216 mm	3000 mm	4,00 mm	190 cm ²	0,29 kN/m	4,170 kg
G 100-30E	103 mm	318 mm	3000 mm	4,50 mm	282 cm ²	0,42 kN/m	6,460 kg
G 100-40E	103 mm	418 mm	3000 mm	4,50 mm	376 cm ²	0,56 kN/m	7,600 kg
G 100-50E	103 mm	518 mm	3000 mm	4,50 mm	470 cm ²	0,71 kN/m	8,750 kg
G 100-60E	103 mm	618 mm	3000 mm	4,50 mm	564 cm ²	0,85 kN/m	9,900 kg

Stainless steel, according to ASTM 316 Ti / AISI 316 L, BS 320S17 / BS 316S11

Products	H	B	L	t	A	Q _{SK}	weight
G 100-10E4	103 mm	116 mm	3000 mm	4,00 mm	95 cm ²	0,14 kN/m	3,340 kg
G 100-20E4	103 mm	216 mm	3000 mm	4,00 mm	190 cm ²	0,29 kN/m	4,260 kg
G 100-30E4	103 mm	318 mm	3000 mm	4,50 mm	282 cm ²	0,42 kN/m	6,510 kg
G 100-40E4	103 mm	418 mm	3000 mm	4,50 mm	376 cm ²	0,56 kN/m	7,660 kg
G 100-50E4	103 mm	518 mm	3000 mm	4,50 mm	470 cm ²	0,71 kN/m	8,820 kg
G 100-60E4	103 mm	618 mm	3000 mm	4,50 mm	564 cm ²	0,85 kN/m	9,980 kg

H: height
B: width

Page 2



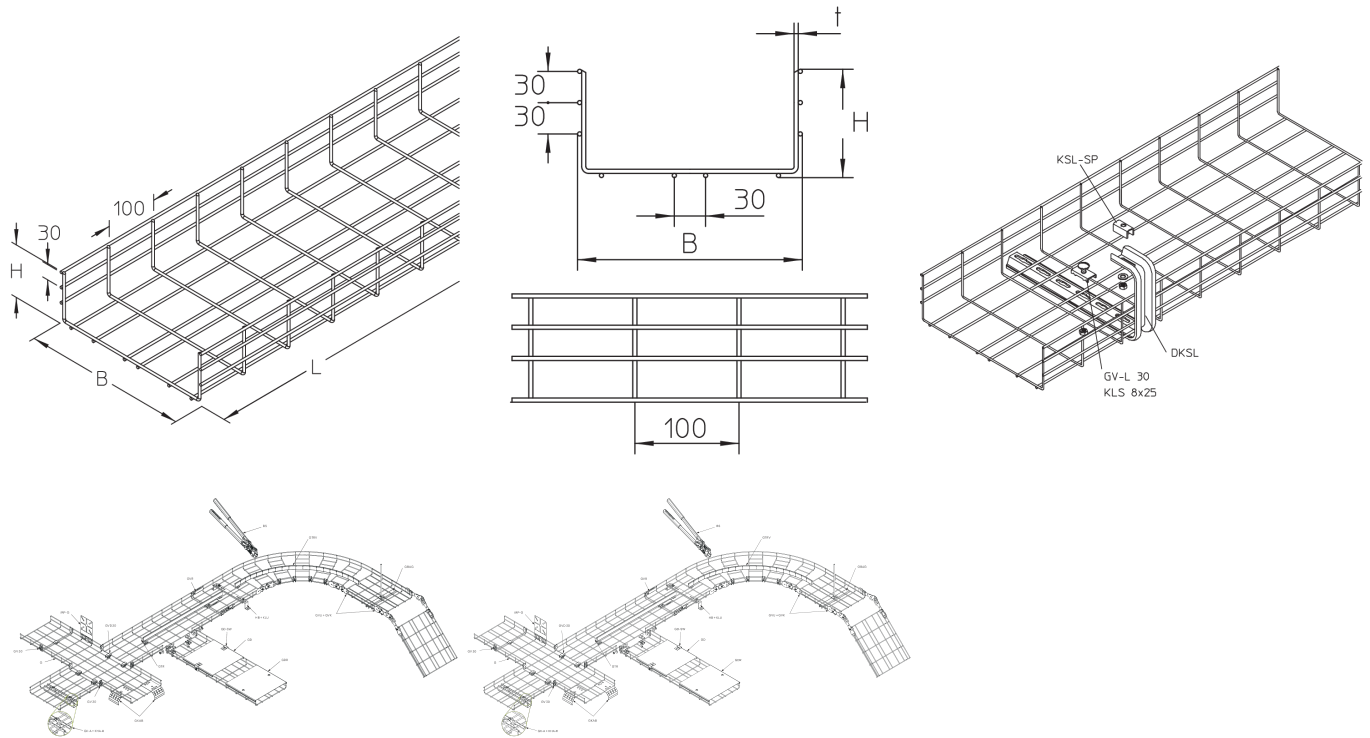
PohlCon GmbH
Nobelstraße 51 | 12057 Berlin
Telefon: +49 30 68283-04 | Fax: +49 30 68283-383 | contact@pohlcon.com



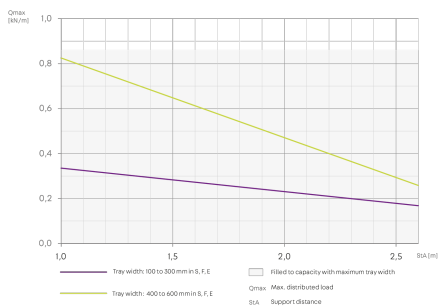
PRODUCT INFORMATION

L: length
t: material thickness
A: cross section area
Q_{SK}: distributed load control cable

DETAIL AND APPLICATION IMAGES



LOAD DIAGRAM



OPTIONAL ACCESSORIES

GD, GDR, GD-SW, GV 30, GVD 30, GV-L 30, GVU, GVK, GTR 100, MP-G, MP-G90, KLU, GKAB, GVR 4.0, GH 6x24, MKD-L

