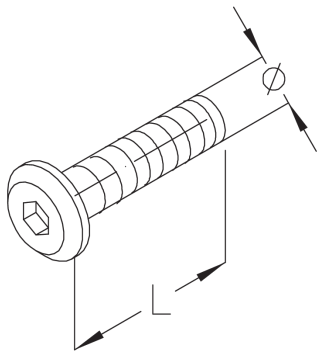


FRIK

Round-head hexagon socket screw



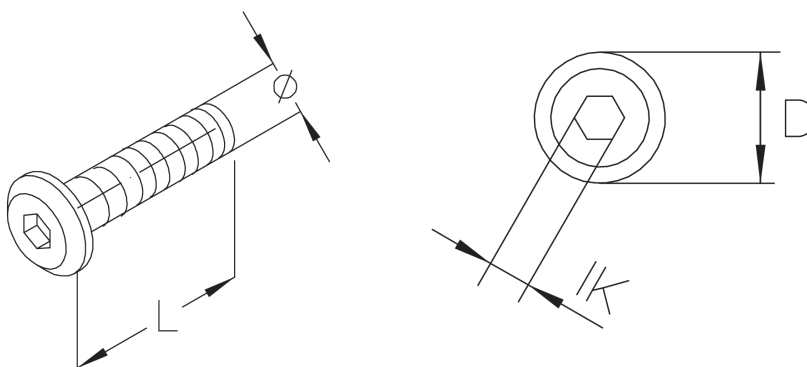
The round-head hexagon socket screw FRIK has a diameter of 6 mm, is 25 mm long and is made of galvanised steel. It is used, among other things, for fastening floor ducts on C profiles with channel nuts and has a low profile in the floor duct.

steel, galvanic zinc plated

Products	Ø	L	D	W
FRIK 6X12	6 mm	12 mm	16,6 mm	0,004 kg
FRIK 6X25	6 mm	25 mm	16,6 mm	0,006 kg

Ø: thread diameter
L: length
D: diameter
W: Weight per storage unit

DETAIL AND APPLICATION IMAGES





PohlCon GmbH
Nobelstraße 51 | 12057 Berlin
Telefon: +49 30 68283-04 | Fax: +49 30 68283-383 | contact@pohlcon.com

