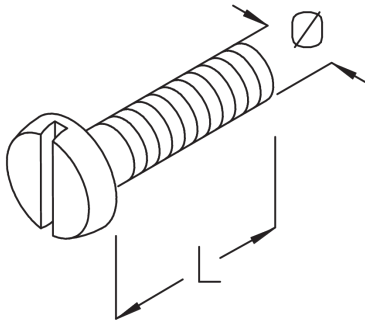


## FKS

Slotted cylinder head screw, DIN EN ISO 1580



The slotted cylinder head screw FKS (in line with DIN EN ISO 1580) is used in particular when installing floor ducts on C profiles or attaching exit plates or separating strips to cable ladders. It is available in lengths from 10 to 25 mm and with threads from M6 to M8. We provide components in various materials and surface finishes to ensure that various corrosion protection requirements for different areas of application are met.

steel, galvanic zinc plated

Products	ø	L	D	W
FKS 6X10	6 mm	10 mm	12 mm	0,004 kg
FKS 6X12GV	6 mm	12 mm	12 mm	0,004 kg
FKS 6X20	6 mm	20 mm	12 mm	0,005 kg
FKS 6X25	6 mm	25 mm	12 mm	0,006 kg
FKS 8X20	8 mm	20 mm	12 mm	0,013 kg

Stainless steel, according to ASTM 304 / BS 304 S 3

Products	ø	L	D	W
FKS 6X10E	6 mm	10 mm	12 mm	0,003 kg
FKS 6X12E	6 mm	12 mm	12 mm	0,004 kg
FKS 6X16E	6 mm	16 mm	12 mm	0,004 kg
FKS 6X20E	6 mm	20 mm	12 mm	0,005 kg
FKS 6X25E	6 mm	25 mm	12 mm	0,006 kg

Stainless steel, according to ASTM 316 Ti / AISI 316 L, BS 320S17 / BS 316S11

Products	ø	L	D	W
FKS 6X16E4	6 mm	16 mm	12 mm	0,005 kg

Page 1



# PRODUCT INFORMATION

---

Products	Ø	L	D	W
FKS 8X16E4	8 mm	16 mm	16 mm	0,011 kg

Ø: thread diameter  
L: length  
D: diameter  
W: Weight per storage unit

## DETAIL AND APPLICATION IMAGES

