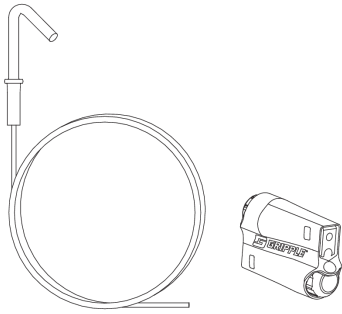


DSAXPTH 2

Wire suspension with trapezoidal sheet metal hook and express closure

The wire suspension DSAXPTH 2 with trapezoidal sheet metal hook and express closure is used for suspending cable trays and mesh cable trays from ceilings. It is made of galvanised steel and is available in lengths from 1000 to 10,000 mm. The maximum load is 0.44 kN (Gripple load class 2).



steel, galvanic zinc plated

Products	L	P _{max}	W
DSAXPTH 21GV	1000 mm	0,44 kN	0,047 kg
DSAXPTH 22GV	2000 mm	0,44 kN	0,065 kg
DSAXPTH 23GV	3000 mm	0,44 kN	0,083 kg
DSAXPTH 24GV	4000 mm	0,44 kN	0,100 kg
DSAXPTH 25GV	5000 mm	0,44 kN	0,123 kg
DSAXPTH 210GV	10000 mm	0,44 kN	0,210 kg

L: length

P_{max}: maximum load

W: Weight per storage unit

