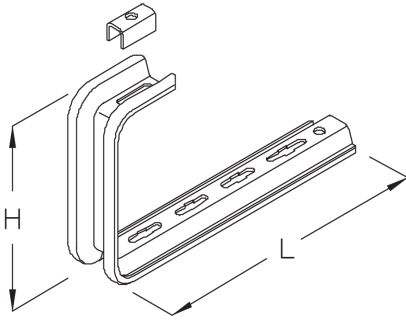


## DKSL-BS

Ceiling brackets, light, maintenance of function



steel, continuously hot galvanized/Sendzimir process

Products	H	B	B1	B2	L	W
DKSL-BS 010S	170 mm	60 mm	100 mm	130 mm	150 mm	0,690 kg
DKSL-BS 020S	170 mm	60 mm	200 mm	230 mm	250 mm	0,780 kg
DKSL-BS 030S	170 mm	60 mm	300 mm	330 mm	350 mm	0,960 kg

steel, batch/hot-dip galvanized

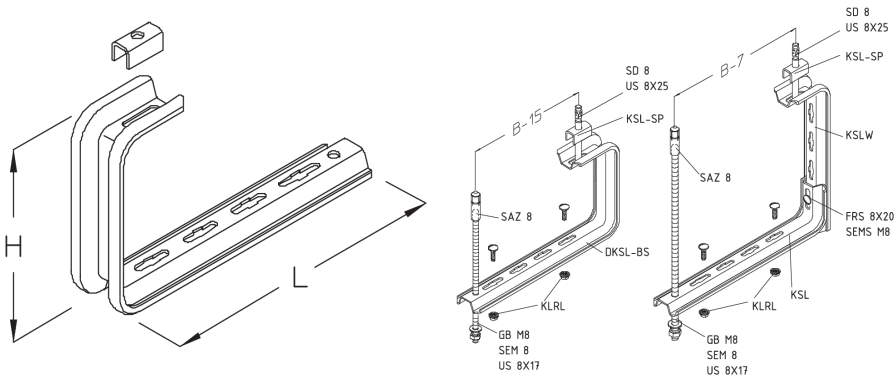
Products	H	B	B1	B2	L	W
DKSL-BS 010F	170 mm	60 mm	100 mm	130 mm	150 mm	0,740 kg
DKSL-BS 020F	170 mm	60 mm	200 mm	230 mm	250 mm	0,830 kg
DKSL-BS 030F	170 mm	60 mm	300 mm	330 mm	350 mm	1,020 kg

**H:** height  
**B:** width  
**B1:** width  
**B2:** width  
**L:** length  
**W:** Weight per storage unit

## DETAIL AND APPLICATION IMAGES



# PRODUCT INFORMATION



## OPTIONAL ACCESSORIES

SAZ, SD, KLRL, GB, VM

