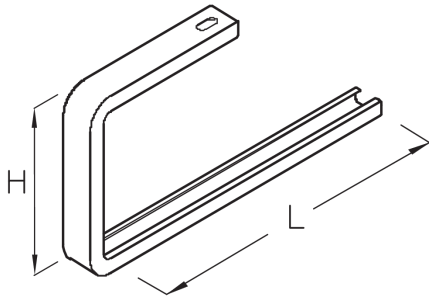


## DB

### Ceiling brackets



The ceiling bracket DB consists of a 30 x 15 mm profile rail and is intended for maximum loads of up to 0.6 kN. The system is ideal for suspending mesh cable trays and cable trays up to 300 mm wide. The cable tray is fastened with KLR 6x25, the mesh cable tray with KLU-L, FRS 6x25 and SEMS 6. We provide components in various materials and surface finishes to ensure that the corrosion requirements are met for all sorts of applications.  $F_D/P$ : factor for calculating the dowel load  $F_D$  with the actual bracket load  $P$  or the sum of the actual bracket loads. This article is made from stainless steel with material no. 1.4571/1.4404 (V4A).

steel, continuously hot galvanized/Senzimir process

Products	H	B	L	$P_{max}$	$F_D/P$	weight
DB 10S	170 mm	30 mm	120 mm	0,60 kN	1,20	0,252 kg
DB 20S	170 mm	30 mm	220 mm	0,40 kN	1,10	0,376 kg
DB 30S	170 mm	30 mm	320 mm	0,28 kN	1,10	0,478 kg

Stainless steel, according to ASTM 304 / BS 304 S 3

Products	H	B	L	$P_{max}$	$F_D/P$	weight
DB 10E	170 mm	30 mm	120 mm	0,50 kN	1,20	0,235 kg
DB 20E	170 mm	30 mm	220 mm	0,35 kN	1,10	0,340 kg
DB 30E	170 mm	30 mm	320 mm	0,25 kN	1,10	0,443 kg

**H:** height

**B:** width

**L:** length

**$P_{max}$ :** maximum load

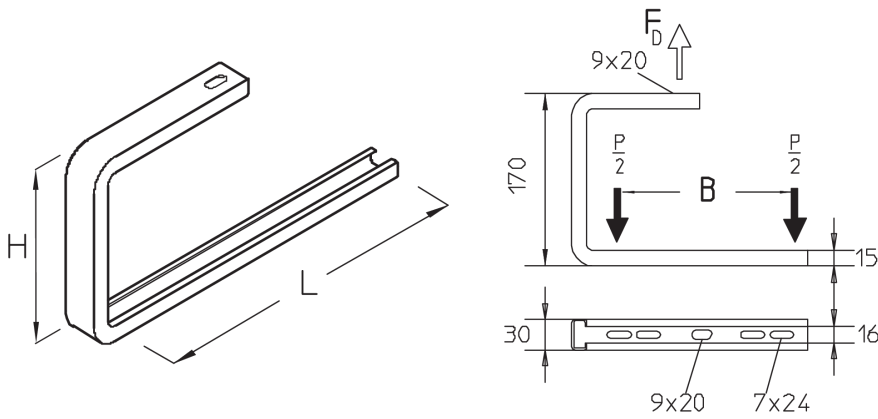
**$F_D/P$ :** dowel-to-anchor load

## DETAIL AND APPLICATION IMAGES



# PRODUCT INFORMATION

---



## OPTIONAL ACCESSORIES

KLR, SAZ, IK

