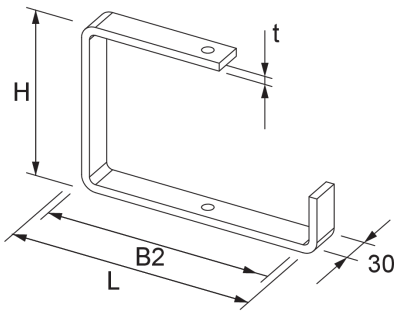


## DB-FL

### Ceiling brackets, flat



The flat ceiling bracket DB-FL is particularly suitable for suspending mesh cable trays and cable trays with track widths of up to 400 mm. The cable tray is fastened with KLR 6x25, the mesh cable tray with KLU-L, FRS 6x25 and SEMS 6. Different materials and surfaces ensure that the corrosion requirements of a wide range of applications are met. This article is available in sendzimir or galvanised steel or stainless steel with material no. 1.4571.

#### steel, galvanic zinc plated

Products	H	B1	B2	L	t	P <sub>max</sub>	F <sub>D</sub> /P	W
DB-FL 010GV	170 mm	100 mm	121 mm	137 mm	8 mm	1,48 kN	1,00	0,765 kg
DB-FL 020GV	170 mm	200 mm	221 mm	237 mm	8 mm	0,70 kN	1,00	1,048 kg
DB-FL 030GV	170 mm	300 mm	321 mm	341 mm	10 mm	0,90 kN	1,00	1,674 kg
DB-FL 040GV	170 mm	400 mm	421 mm	441 mm	10 mm	0,48 kN	1,00	2,027 kg

#### steel, batch/hot-dip galvanized

Products	H	B1	B2	L	t	P <sub>max</sub>	F <sub>D</sub> /P	W
DB-FL 010F	170 mm	100 mm	121 mm	137 mm	8 mm	1,48 kN	1,00	0,819 kg
DB-FL 020F	170 mm	200 mm	221 mm	237 mm	8 mm	0,70 kN	1,00	1,121 kg
DB-FL 030F	170 mm	300 mm	321 mm	341 mm	10 mm	0,90 kN	1,00	1,791 kg
DB-FL 040F	170 mm	400 mm	421 mm	441 mm	10 mm	0,48 kN	1,00	2,169 kg

#### Stainless steel, according to ASTM 304 / BS 304 S 3

Products	H	B1	B2	L	t	P <sub>max</sub>	F <sub>D</sub> /P	W
DB-FL 010E	170 mm	100 mm	121 mm	137 mm	8 mm	1,48 kN	1,00	0,770 kg
DB-FL 020E	170 mm	200 mm	221 mm	237 mm	8 mm	0,70 kN	1,00	1,068 kg
DB-FL 030E	170 mm	300 mm	321 mm	341 mm	10 mm	0,90 kN	1,00	1,706 kg

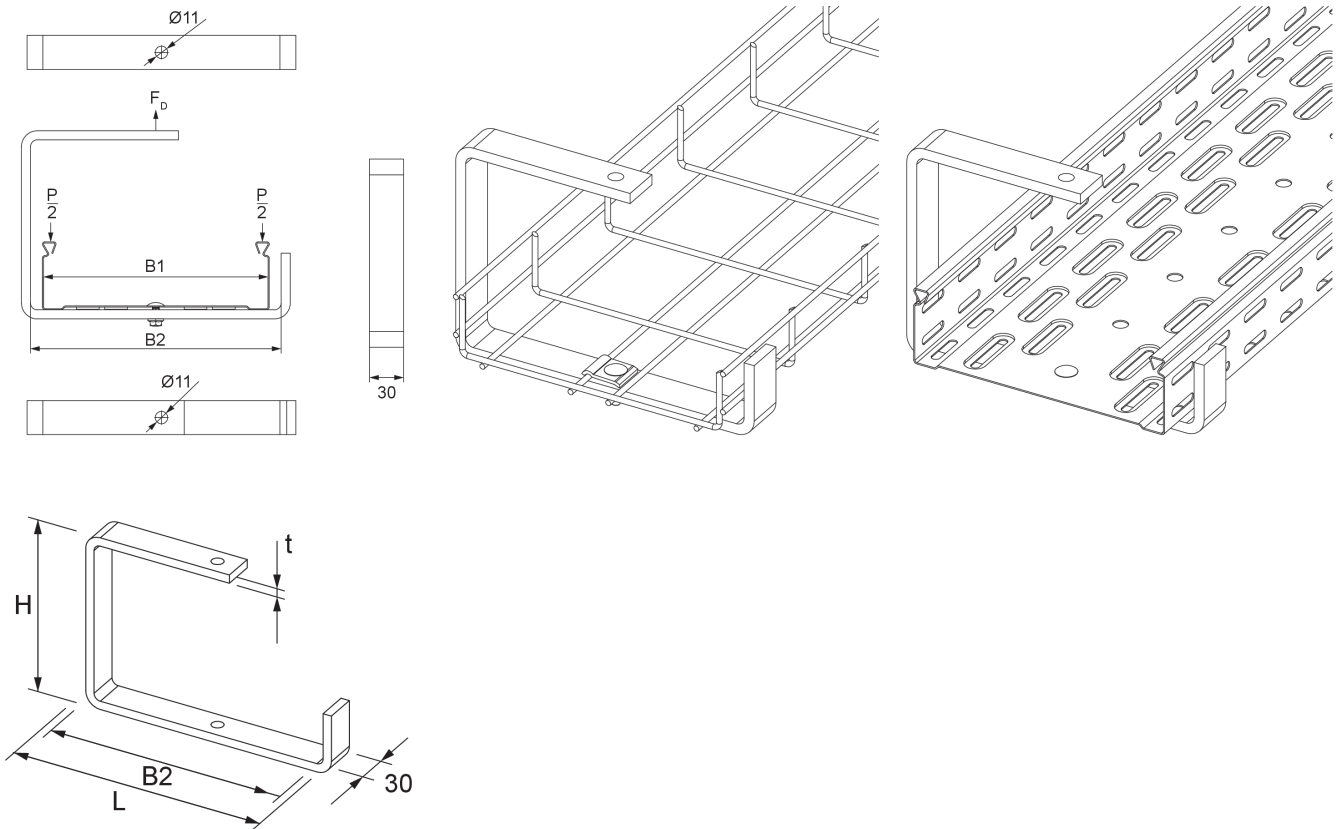


# PRODUCT INFORMATION

Products	H	B1	B2	L	t	P <sub>max</sub>	F <sub>D</sub> /P	W
DB-FL 040E	170 mm	400 mm	421 mm	441 mm	10 mm	0,48 kN	1,00	2,066 kg

**H:** height  
**B1:** width 1  
**B2:** width 2  
**L:** length  
**t:** material thickness  
**P<sub>max</sub>:** maximum load  
**F<sub>D</sub>/P:** dowel-to-anchor load  
**W:** Weight per storage unit

## DETAIL AND APPLICATION IMAGES



## OPTIONAL ACCESSORIES

KLR, KLS, KLU, SD

