

DAS

Wire eye-bolt

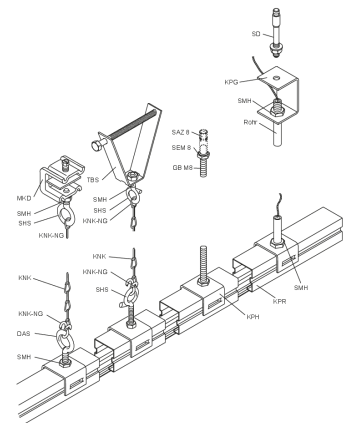
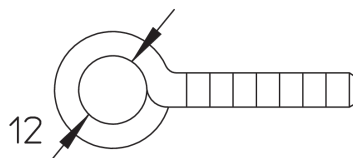
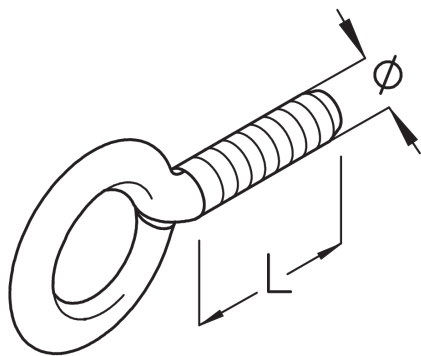
The wire eye bolt DAS is used along with the chain for suspending light rail systems, mesh cable trays and cable trays. It is available with an M8 thread and is made of galvanised steel. The maximum load is 0.5 kN.

steel, galvanic zinc plated

Products	Ø	L	t	P _{max}	weight
DAS 8X30	8 mm	30 mm	7,00 mm	0,50 kN	0,025 kg

Ø: thread diameter
 L: length
 t: material thickness
 P_{max}: maximum load

DETAIL AND APPLICATION IMAGES



PRODUCT INFORMATION

