

BODO TL

Single outlet, dry-clean, round, empty

The BODO TL components are round single outlets with a protective frame for the floor covering. They are equipped with a rotating cover with cable outlet and a claw set. The single outlets are suitable for dry-cleaned floor coverings in rooms with office traffic loads. They can be fixed to floor sockets or the raw concrete slab or installed in screed and raised or false floor openings. The product is made of high quality plastic (ABS copolymer) and is available in iron grey or graphite black. BODO TL has an installation dimension of 122 mm and a minimum installation height of 63 mm.



Products	H _{min}	E	P _{max}	IP _g	IP _n	color	W
BODO TL-G	63 mm	122 mm	1,50 kN	IP 20	IP 30	RAL 7011 (iron gray)	0,170 kg
BODO TL-S	63 mm	122 mm	1,50 kN	IP 20	IP 30	RAL 9011 (graphite black)	0,170 kg

H_{min}: minimum installation height

E: fitting dimension

P_{max}: maximum load

IP_g: IP protection level in used condition

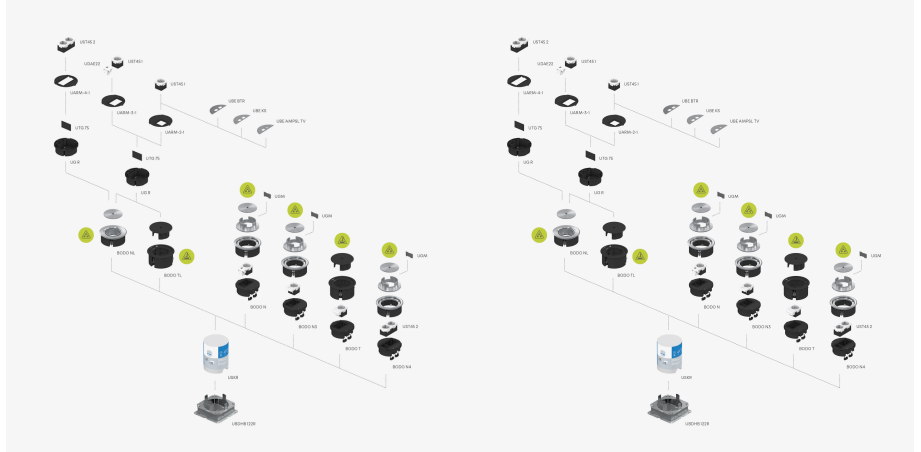
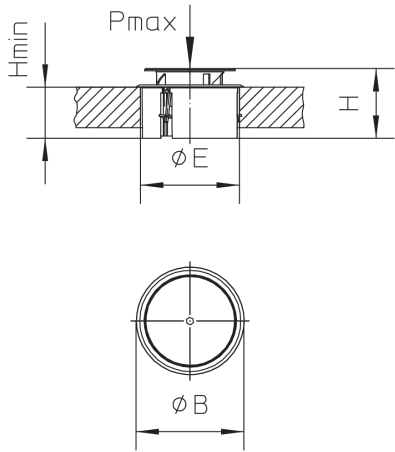
IP_n: IP protection level in unused condition

W: Weight per storage unit

DETAIL AND APPLICATION IMAGES



PRODUCT INFORMATION



OPTIONAL ACCESSORIES

UG R, UTG 75, UARM-2-1, UARM-3-1, USK R122, UBDHB 122R, UWZ IS



dry maintained



Load requirements according to, DIN EN 50085

