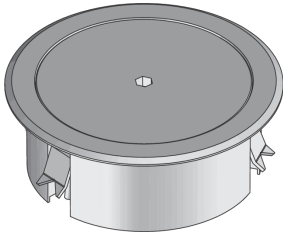


BODO NA

Cable outlet, dummy



BODO NA components are round dummy cable outlets with floor covering protection frame and cover that can be closed using a bayonet catch. The BODO NA components can be supplemented with a tube outlet and are suitable for installation in screed and raised or false floor openings in wet-cleaned or dry-cleaned rooms with high traffic loads. The cover of the cable outlets is made of aluminium with an aluminium finish and the frames are made of plastic. The IP protection rating of the outlets is IP 66 in an unused condition and IP 20 when used. They have installation dimensions of 122 mm and a minimum installation height of 87 mm.



Products	H _{min}	E	P _{max}	IP _g	IP _n	color	weight
BODO NA-L	87 mm	122 mm	15,00 kN	IP-20	IP-66	ALUMINIUM	0,295 kg

H_{min}: minimum installation height

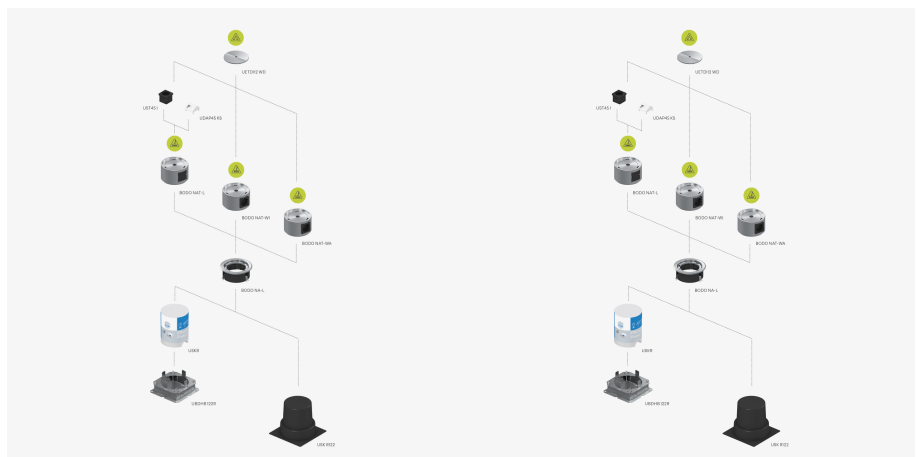
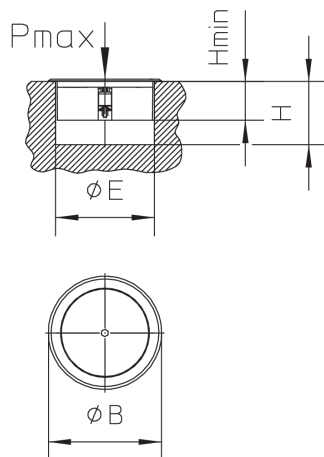
E: fitting dimension

P_{max}: maximum load

IP_g: IP protection level in used condition

IP_n: IP protection level in unused condition

DETAIL AND APPLICATION IMAGES



OPTIONAL ACCESSORIES

BODO NAT, BODO NAT-W



wet maintained



dry maintained



Load requirements according to, DIN EN 50085

