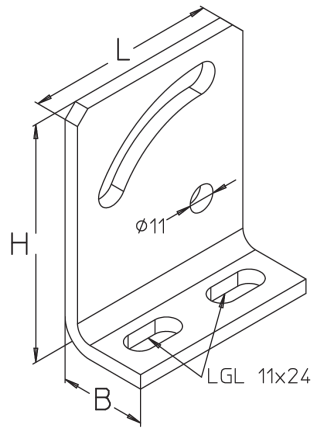


PRODUCT INFORMATION



BLD

Diagonal adaptor

The connection part BLD is a mounting bracket for connecting profiles in the range of 0° to 60°. It is made of hot-dip galvanized steel.

steel, batch/hot-dip galvanized

| Products | H | B | L | W |
|----------|--------|-------|-------|----------|
| BLD F | 100 mm | 37 mm | 80 mm | 0,412 kg |

H: height
B: width
L: length
W: Weight per storage unit

DETAIL AND APPLICATION IMAGES

