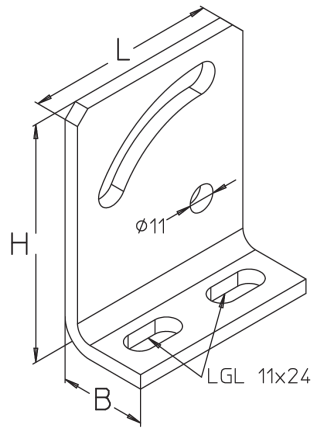


PRODUCT INFORMATION



BLD

Diagonal adaptor

The connection part BLD is a mounting bracket for connecting profiles in the range of 0° to 60°. It is made of hot-dip galvanised steel.

steel, batch/hot-dip galvanized

Products	H	B	L	W
BLD F	100 mm	37 mm	80 mm	0,412 kg

H: height
B: width
L: length
W: Weight per storage unit

DETAIL AND APPLICATION IMAGES

