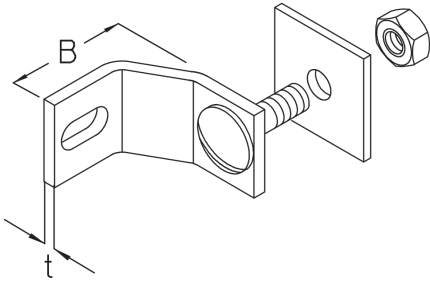


# PRODUCT INFORMATION

## BL 7

Corner angle, ST-BS 81, maintenance of function

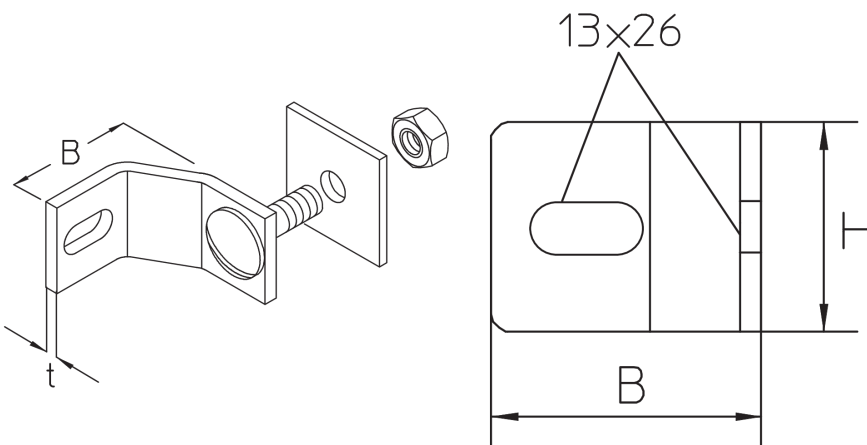


steel, batch/hot-dip galvanized

Products	B	L	t	W
BL 7F	50 mm	65 mm	5,00 mm	0,337 kg
incl.:				
1 x FRS 12X30F, 1 x SEM 12F, 1 x RUS 50-L13F				

**B:** width  
**L:** length  
**t:** material thickness  
**W:** Weight per storage unit

## DETAIL AND APPLICATION IMAGES



Page 1



PohlCon GmbH  
Nobelstraße 51 | 12057 Berlin  
Telefon: +49 30 68283-04 | Fax: +49 30 68283-383 | [contact@pohlcon.com](mailto:contact@pohlcon.com)



## OPTIONAL ACCESSORIES

SD

