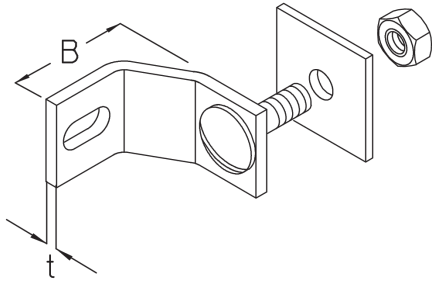


## BL 7 Corner angle



The corner angle BL 7 is used to fasten KHI bracket holders to the wall. The bracket can also be used to attach ST 81 and ST 82 vertical ladders to the ceiling, floor and wall. The angle is bolted to the bracket holder or vertical ladder beam and dowelled to the wall. We provide components in various materials and surface finishes to ensure that the corrosion requirements are met for all sorts of applications.

steel, galvanic zinc plated

Products	B	L	t	weight
BL 7GV	50 mm	65 mm	5,00 mm	0,324 kg
incl.:				
1 x SEM 12, 1 x RUS 50-L13GV, 1 x FRS 12X30				

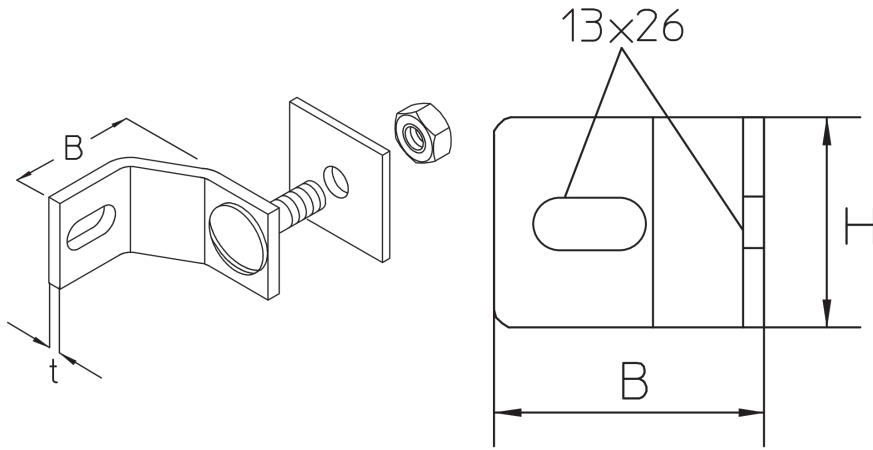
steel, batch/hot-dip galvanized

Products	B	L	t	weight
BL 7F	50 mm	65 mm	5,00 mm	0,337 kg
incl.:				
1 x FRS 12X30F, 1 x SEM 12F, 1 x RUS 50-L13F				

**B:** width  
**L:** length  
**t:** material thickness

## DETAIL AND APPLICATION IMAGES





## OPTIONAL ACCESSORIES

SD

